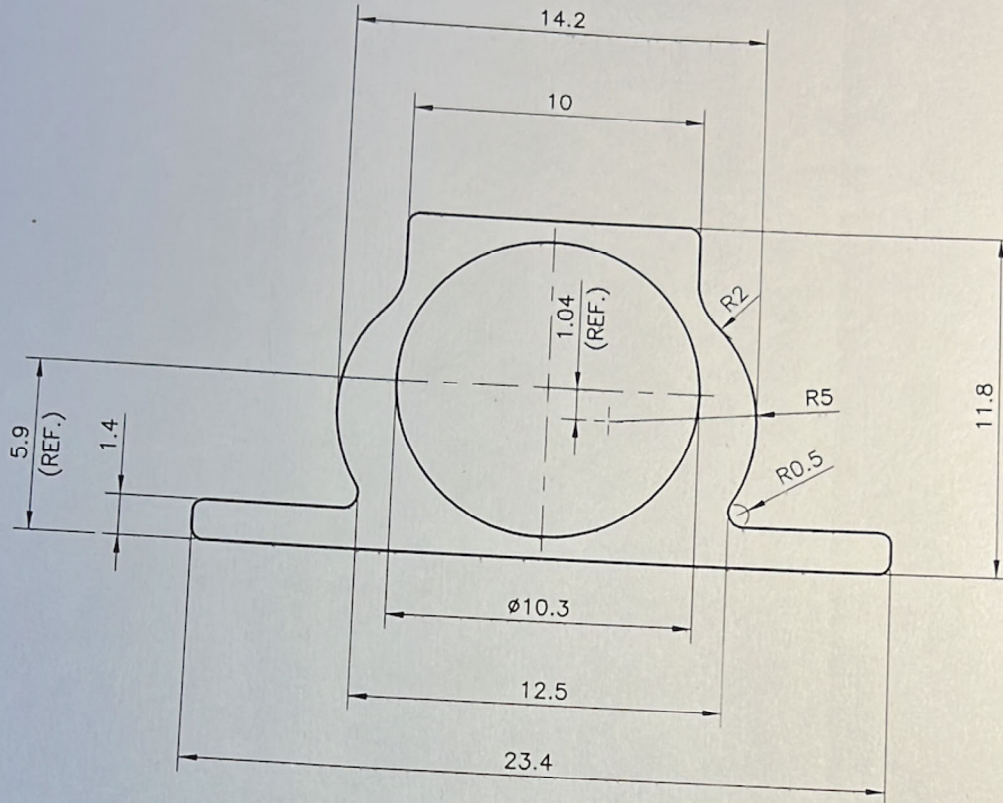


SCALE 1:1



Die is ok.  
 Rate required as per 18105.  
 Kindly confirm the rate. So that we  
 can send you the final confirmation



SYMBOL OF QUALITY  
 AN ISO 9001 COMPANY

**JINDAL ALUMINIUM LTD.**  
 BHIWADI-301019 (INDIA)

1. ALL DIMENSIONS ARE IN mm.
2. ROUND OFF ALL SHARP CORNERS WITH 0.40 mm.
3. TOLERANCES WILL BE AS PER BS:EN-755-9, UNLESS OTHERWISE SPECIFIED

	NAME	DATE
DRAWN	ASHUTOSH	30-01-2023
CHECKED		
APPROVED		
SCALE		1:1&4:1
AREA mm <sup>2</sup>		77.42
PERIMETER mm.		67.89
WEIGHT kg/m		0.209
DRAWING No.		SECTION No.

PARTY'S NAME	M/s. IMPERIAL METAL MART.
PARTY'S DRAWING No.	AS PER SAMPLE-1
ALLOY & TEMPER	HE9 WP
DESCRIPTION	TOWER BOLT SECTION