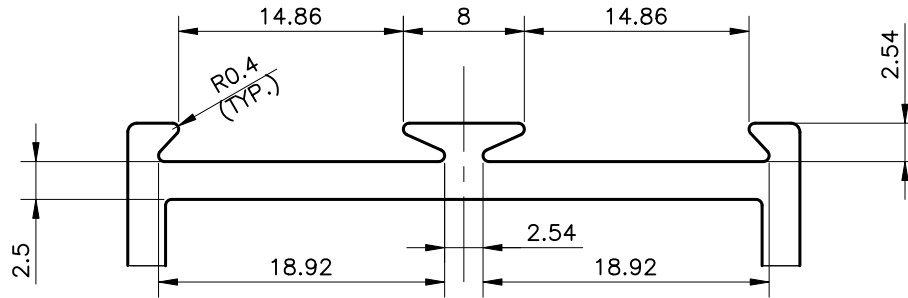
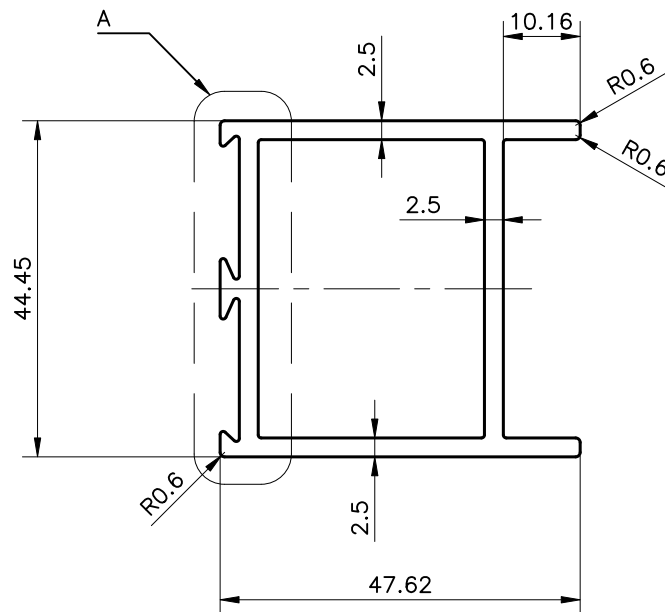


BEFORE APPROVAL CHECK ALL DIMENSIONS PROPERLY

PROPOSED DRAWING  
Q00386



DETAIL A  
SCALE 1:1



SYMBOL OF QUALITY  
AN ISO 9001 COMPANY

**JINDAL ALUMINIUM LTD.**  
BHIWADI-301019 (INDIA)

	NAME	DATE
DRAWN	ASHUTOSH	02-02-2023
CHECKED		
APPROVED		

1. ALL DIMENSIONS ARE IN mm.
2. ROUND OFF ALL SHARP CORNERS WITH 0.40 mm.
3. TOLERANCES WILL BE AS PER BS:EN-755-9 , UNLESS OTHERWISE SPECIFIED

SCALE	1:1&2:1
AREA mm <sup>2</sup>	449.50
PERIMETER mm.	223.77
WEIGHT kg/m	1.214
DRAWING No.	SECTION No.
-	

PARTY'S NAME	ALUMINIUM TRADING CO. NEW DELHI
PARTY'S DRAWING No.	AS PER DRAWING 19503 (Q00386)
ALLOY & TEMPER	HE9 WP
DESCRIPTION	DOOR SECTION