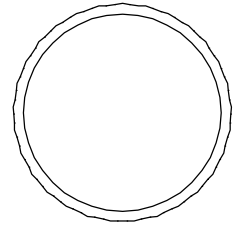


PROPOSAL DRAWING

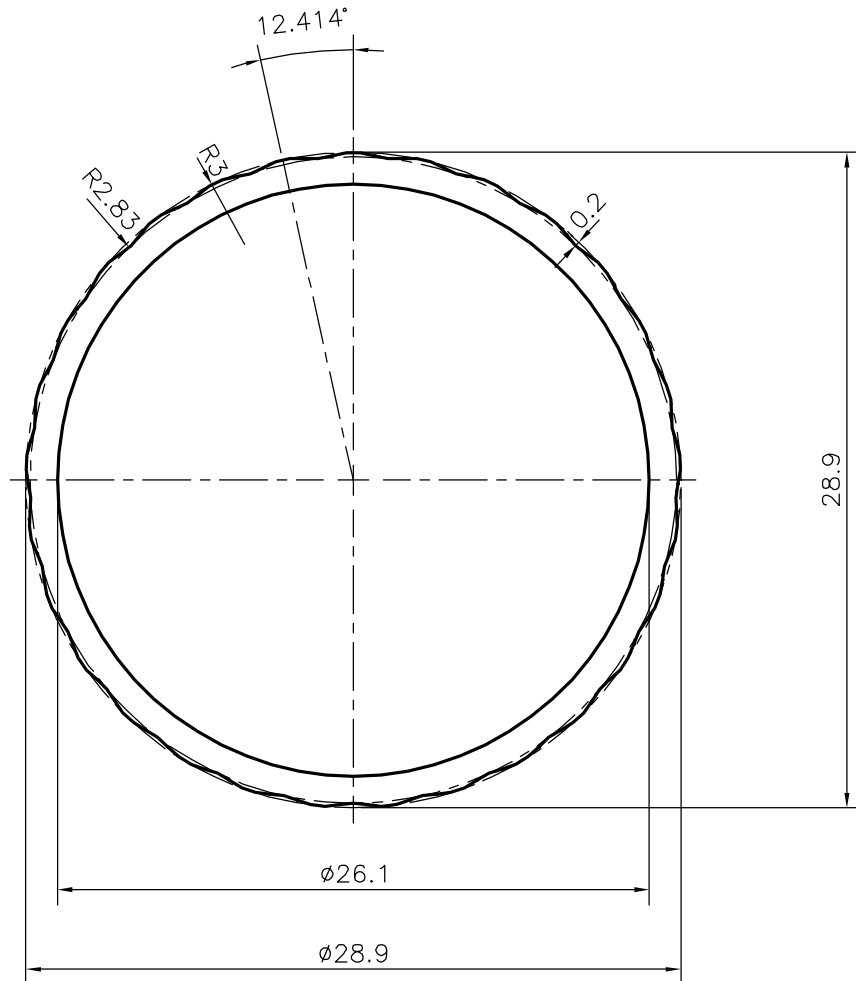


JINDAL ALUMINIUM LTD.

BANGALORE-560073 (INDIA)



SCALE:- 1:1



29 FLUTES

Area:112.59 Sq.mm. | Perimeter:91.202 mm. | Weight:0.304 Kg./mtr.