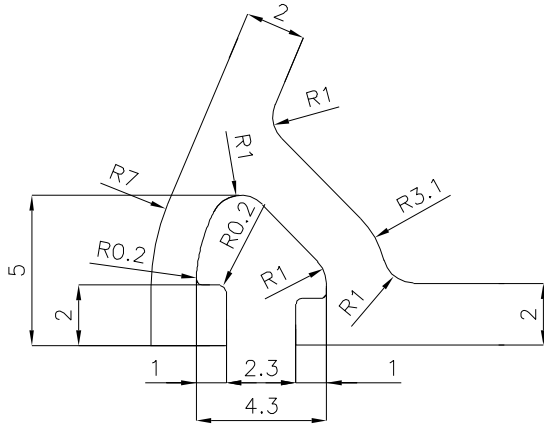


THIS DOCUMENT IS THE PROPERTY OF NTF (INDIA) PVT. LTD. DOCUMENT SHOULD NOT BE REPRODUCED IN ANY FORM OR BY ANY MEANS WITHOUT WRITTEN PERMISSION OF NTF.

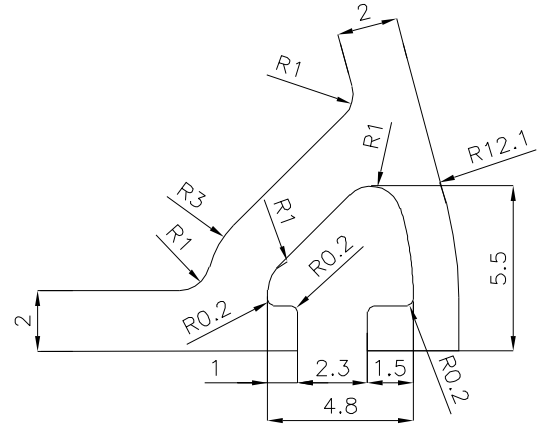
REF. NO. -  
SAP CODE:-

DO NOT SCALE DRAWING  
ALL DIMENSIONS ARE IN MM

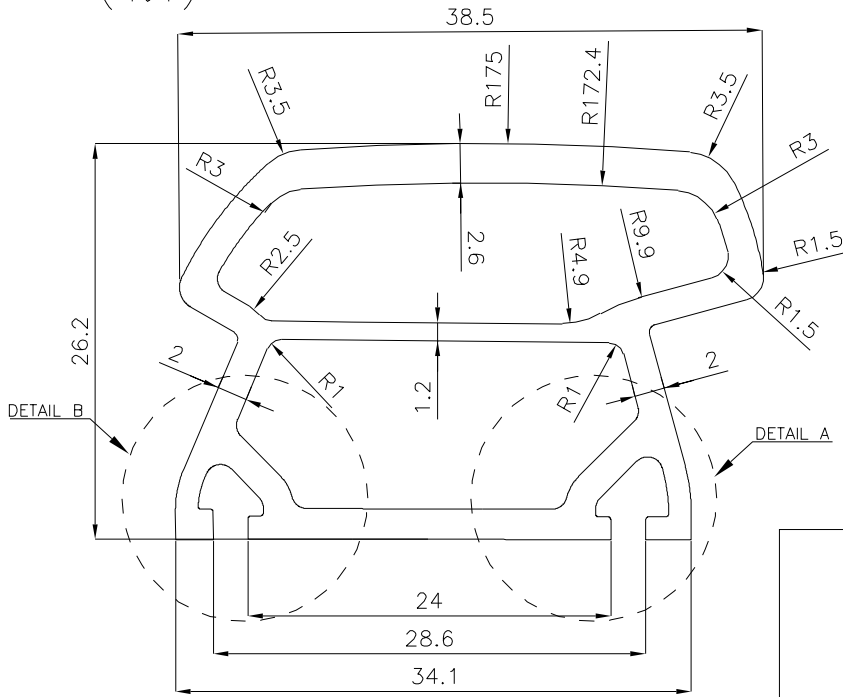
FOR QUOTATION PURPOSE



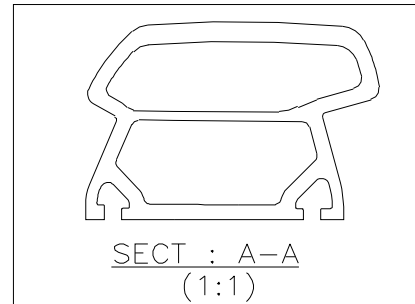
DETAIL B  
(4:1)



DETAIL A  
(4:1)



SECT : A-A  
(2:1)



SECT : A-A  
(1:1)

IF IN DOUBT, PLEASE ASK

REV. ZONE	NO. OF PLACES	REVISIONS	DATE	APPROVED BY
5				
4				
3				
2				
1				
0				

NAME	SIGN	DATE
DRAWN BY SHIVAM		19-01-23
CHECKED BY SUKHRAM		
APPROVED BY PRITAM		
APPLICATION:- MSIL/Y17/ROOF RAIL		
MATERIAL : ALUMINIUM (Al. 6063 T6)	SCALE 2:1	

**NTF(INDIA)PVT.LTD**  
49, Sector - 3, IMT Manesar,  
Gurgaon-122050(Haryana). INDIA

TITLE : RAIL COMP, ROOF SECTION	
DRG. NO. 35 FAB 025	SHEETS SIZE 01/01 A4

NTF/DESIGN/MSIL/Y17/ROOF RAIL