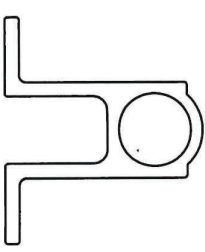
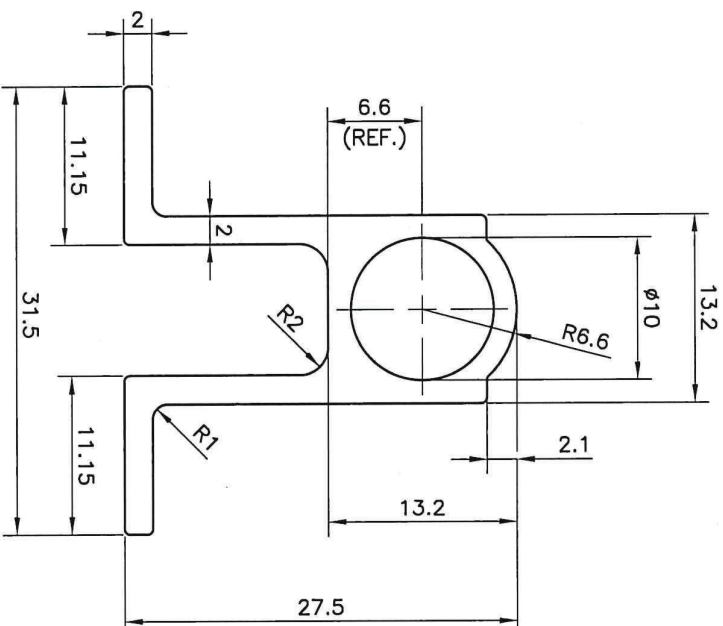


BEFORE APPROVAL CHECK ALL DIMENSIONS PROPERLY

PROPOSED DRAWING



SCALE 1:1



SYMBOL OF QUALITY  
AN ISO 9001 COMPANY

**JINDAL ALUMINIUM LTD.**  
BHIVADI-301019 (INDIA)

1. ALL DIMENSIONS ARE IN mm.
2. ROUND OFF ALL SHARP CORNERS WITH 0.40 mm.
3. TOLERANCES WILL BE AS PER BS:EN-755-9 , UNLESS OTHERWISE SPECIFIED

PARTY'S NAME

M/s. IMPERIAL METALMART ~~OPRB~~

PARTY'S DRAWING No.

AS PER DRAWING SENT ON 08.02.2023

ALLOY & TEMPER

HE9 WP

DESCRIPTION

TOWER BOLT

DRAWN	NAME	DATE
CHECKED	ASHUTOSH	09-02-2023
APPROVED		
SCALE		1:1
AREA	mm <sup>2</sup>	177.68
PERIMETER	mm.	139.59
WEIGHT	kg/m	0.480
DRAWING No.		SECTION No.
-		