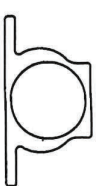


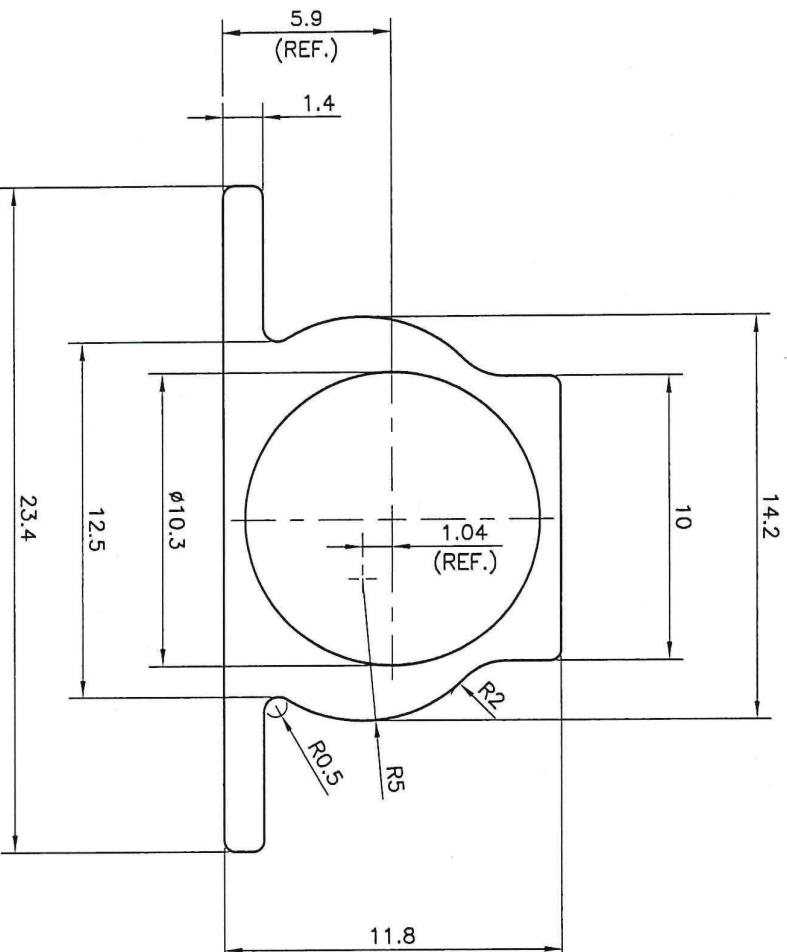
P-JAL-B-113

BEFORE APPROVAL CHECK ALL DIMENSIONS PROPERLY

D-75558



SCALE 1:1



**JINDAL ALUMINIUM LTD.**  
BHIWADI-301019 (INDIA)

SYMBOL OF QUALITY  
AN ISO 9001 COMPANY

1. ALL DIMENSIONS ARE IN mm.
2. ROUND OFF ALL SHARP CORNERS WITH 0.40 mm.
3. TOLERANCES WILL BE AS PER BS:EN-755-9 , UNLESS OTHERWISE SPECIFIED

PARTY'S NAME	M/s. IMPERIAL METAL MART.	WEIGHT kg/m	0.209
PARTY'S DRAWING No.	AS PER SAMPLE-1 (Q000381)	DRAWING No.	P-JAL-B-113
ALLOY & TEMPER	HE9 WP	SECTION No.	D-75558
DESCRIPTION	TOWER BOLT SECTION		

DRAWN	NAME	DATE
CHECKED	ASHUTOSH	30-01-2023
APPROVED	<i>[Signature]</i>	9-2-23
	<i>[Signature]</i>	09.02.23
SCALE		1:1&4:1
AREA	mm <sup>2</sup>	77.42
PERIMETER	mm.	67.89