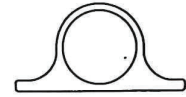
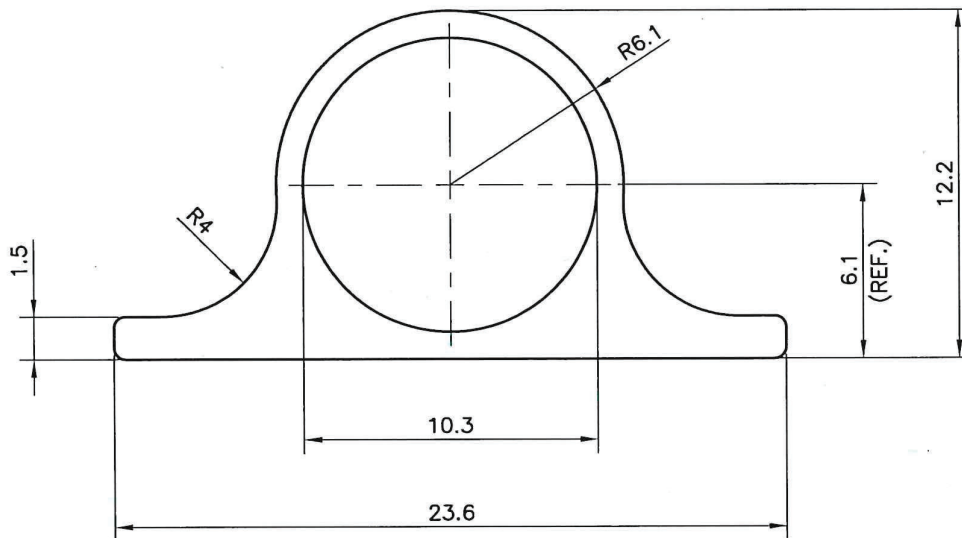


BEFORE APPROVAL CHECK ALL DIMENSIONS PROPERLY

PROPOSED DRAWING



SCALE 1:1



SYMBOL OF QUALITY
AN ISO 9001 COMPANY

JINDAL ALUMINIUM LTD.

BHIWADI-301019 (INDIA)

	NAME	DATE
DRAWN	ASHUTOSH	23-01-2023
CHECKED		
APPROVED		
SCALE		1:1&4:1
AREA mm ²		73.22
PERIMETER mm.		62.30
WEIGHT kg/m		0.198
DRAWING No.		SECTION No.
-		

1. ALL DIMENSIONS ARE IN mm.
2. ROUND OFF ALL SHARP CORNERS WITH 0.40 mm.
3. TOLERANCES WILL BE AS PER BS:EN-755-9 , UNLESS OTHERWISE SPECIFIED

PARTY'S NAME	M/s. ALUMINIUM TRADING CO.
PARTY'S DRAWING No.	AS PER SAMPLE-4
ALLOY & TEMPER	HE9 WP
DESCRIPTION	TOWER BOLT SECTION