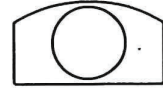
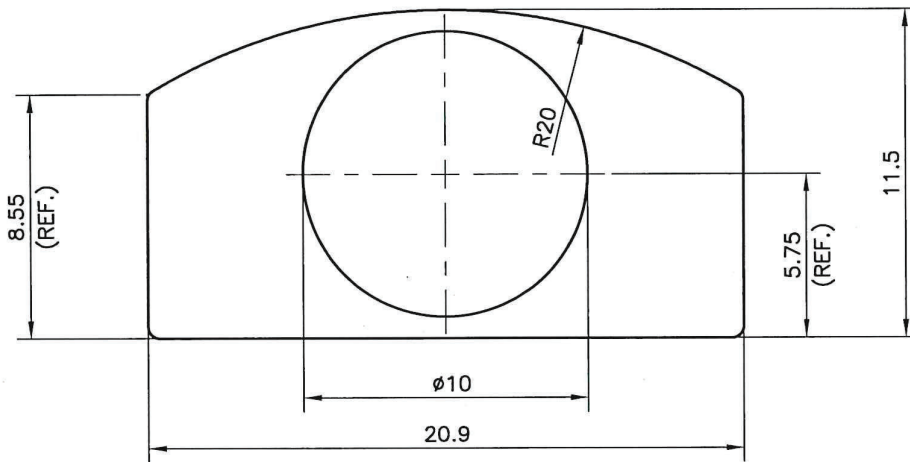


BEFORE APPROVAL CHECK ALL DIMENSIONS PROPERLY

PROPOSED DRAWING



SCALE 1:1



SYMBOL OF QUALITY
AN ISO 9001 COMPANY

JINDAL ALUMINIUM LTD.

BHIWADI-301019 (INDIA)

	NAME	DATE
DRAWN	ASHUTOSH	23-01-2023
CHECKED		
APPROVED		
SCALE	1:1 & 4:1	
AREA mm ²	141.84	
PERIMETER mm.	59.57	
WEIGHT kg/m	0.383	
DRAWING No.	SECTION No.	

1. ALL DIMENSIONS ARE IN mm.
2. ROUND OFF ALL SHARP CORNERS WITH 0.40 mm.
3. TOLERANCES WILL BE AS PER BS:EN-755-9 , UNLESS OTHERWISE SPECIFIED

PARTY'S NAME	M/s. ALUMINIUM TRADING CO.
PARTY'S DRAWING No.	AS PER SAMPLE-3
ALLOY & TEMPER	HE9 WP
DESCRIPTION	TOWER BOLT SECTION