

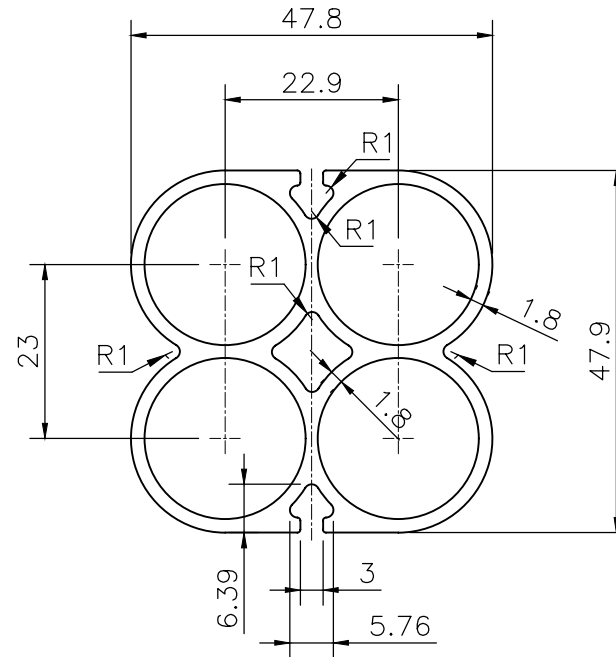


JINDAL ALUMINIUM LTD.

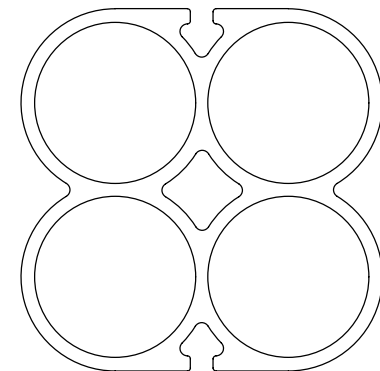
BHIWADI, ALWAR (RAJ.)

PROPOSAL DRAWING

DATE :- 16-08-2023



Area:529.216 Sq.mm. |
Perimeter:206.11 mm. |
Weight:1.429 Kg./mtr.



CUSTOMER NAME:- EULER MOTORS, NEW DELHI