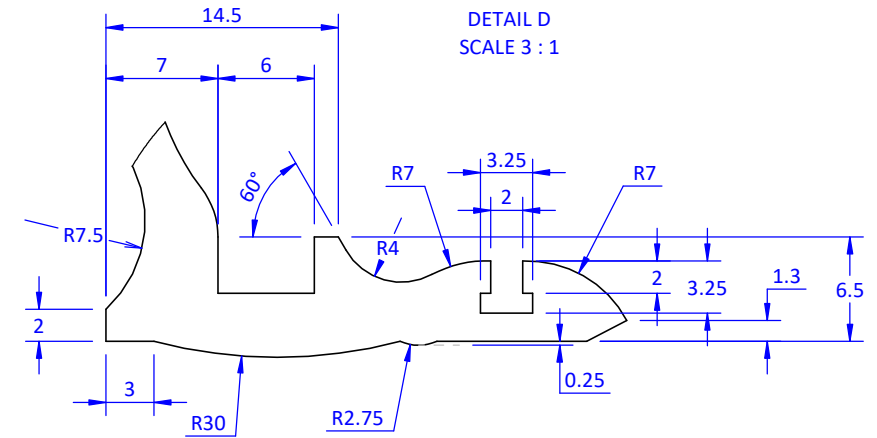
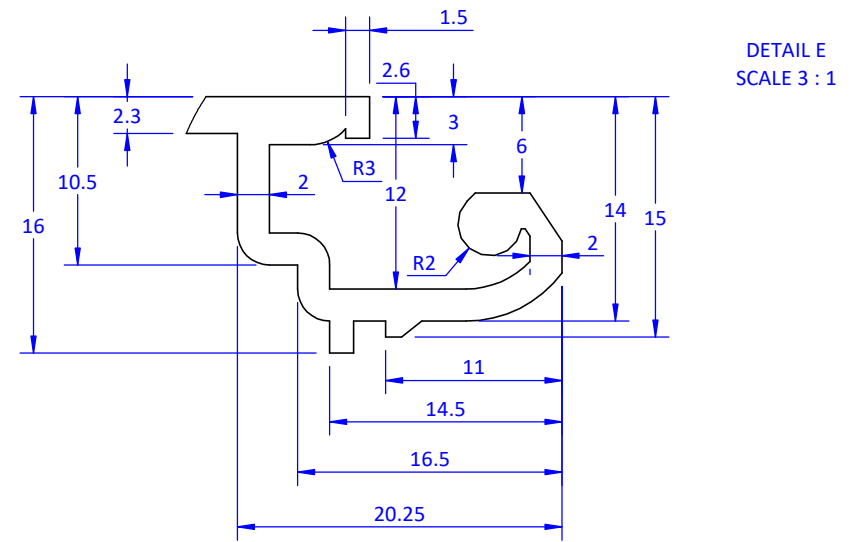
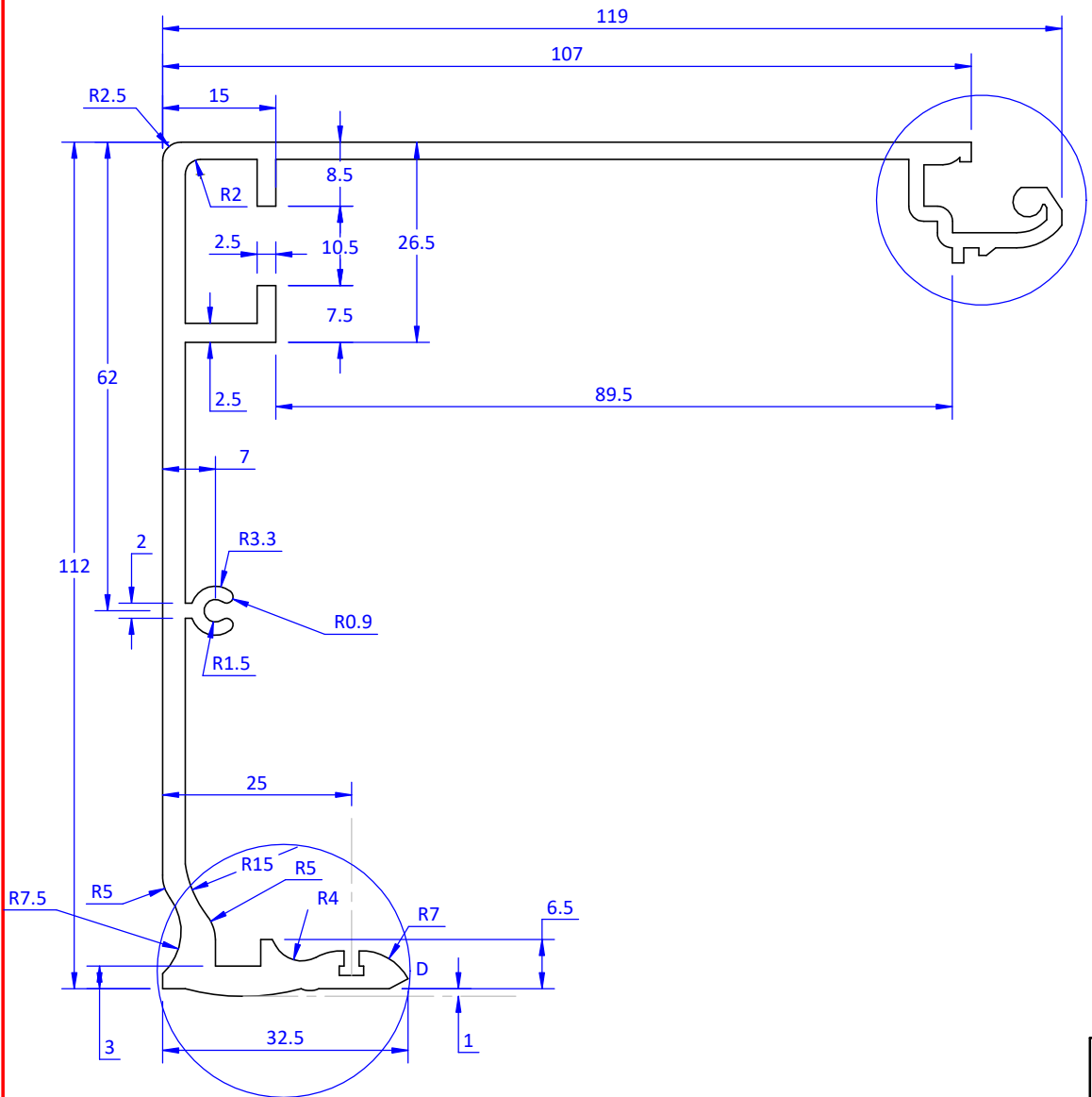


**IF IN DOUBT, PLEASE ASK.**



**NOTES :-**

1. '\*' MARK DIM. ARE CRITICAL TO QUALITY.
2. TOLERANCE CLASS AS PER BS EN 755-9:2008, UNLESS OTHERWISE SPECIFIED.
3. MATERIAL : ALUMINIUM 6063 - T6.
4. ANGULAR TOLERANCE :  $\pm 1.0^\circ$

<p><b>metaflex</b> DOORS</p> <p>Metaflex Doors India Pvt. Ltd. 8A, Part I &amp; II, Udyog Vihar, Greater Noida (U.P.) 201306 Phone: +91-120-4751022 Fax: +91-120-4751026, Mob: +91 9310303754 <a href="http://www.metaflex.in">www.metaflex.in</a></p>	<b>Projection</b> 	<b>Tol.</b> $\pm 0.5\text{MM}$ <b>NC-File</b> N/A <b>SheetM.</b> N/A	<b>Drawn</b> Praveen <b>Dr.date</b> 07-02-2023 <b>Chkd</b> Anuj Singh <b>Ch.date</b> 07-02-2023	<b>Proj.</b> SL500	
	<b>Mat.</b> ALUMINIUM <b>Finish</b> Silver Anodised 10~12 Micron <b>Art.nr.</b>	<b>Dim.</b> mm <b>Scale</b> 1:2	<b>Sheet 1 of 1</b>		
	<small>This drawing contains confidential information and is the property of Metaflex Doors India Pvt. Ltd. without whose permission it may not be copied, shown or handed to a third party or otherwise used</small>				<b>Format:</b> <b>A3</b>
	<b>Description</b> SL 500 TRACK	<b>Dep.</b> Default <b>Config.</b> SL500	<b>Title</b> SL500	<b>Drwg No.</b> SL500 TRACK	<b>rev.</b> 0