

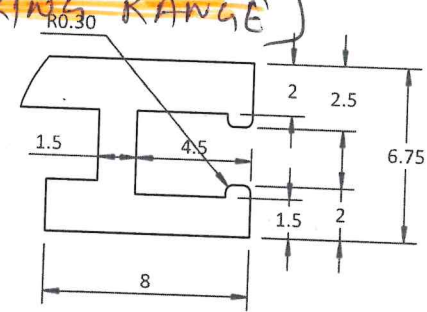
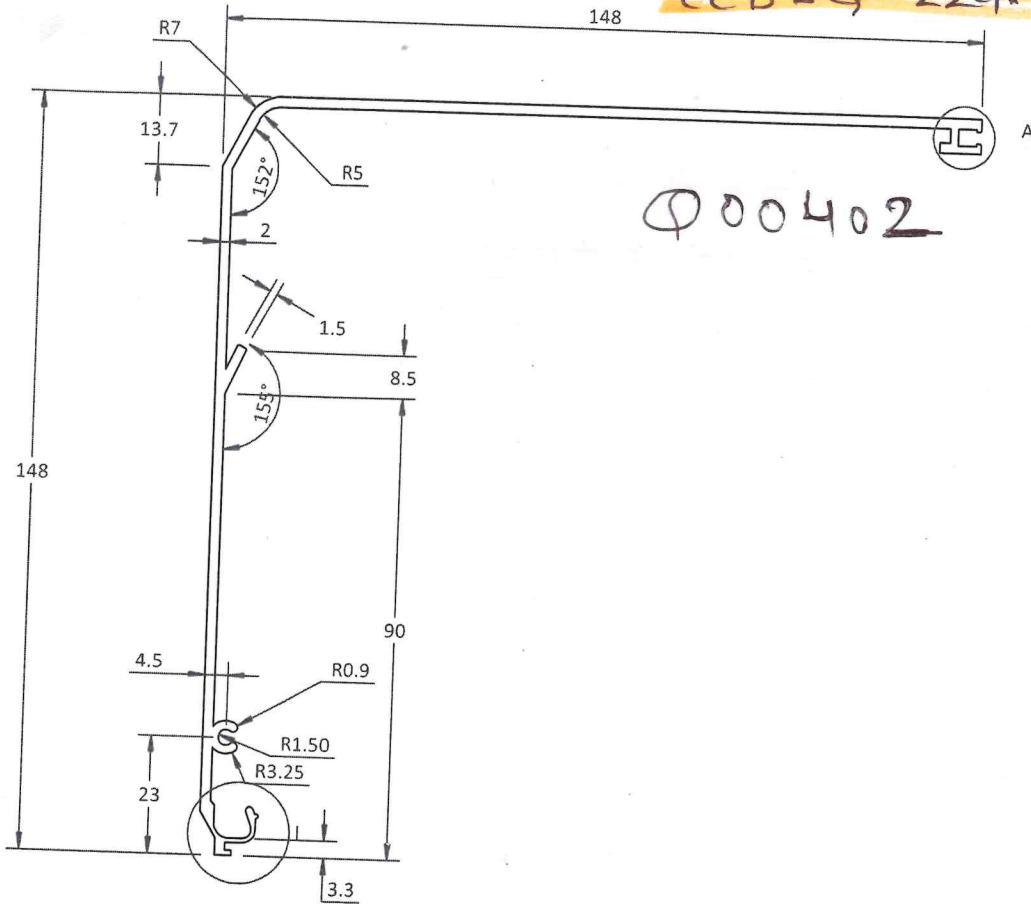
IN DOUBT, PLEASE ASK.

NMR (NOT IN MANUFACTURING RANGE)

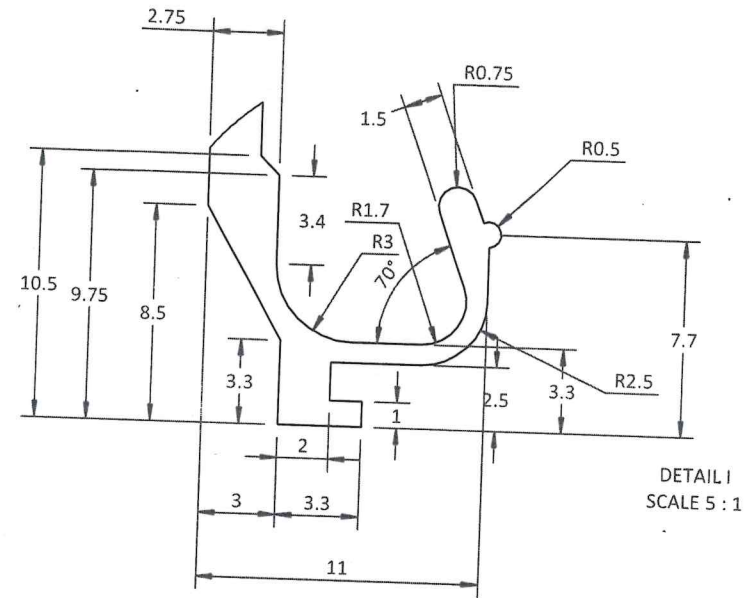
CCD - 229.2

Sumit
15/2/23

000402



DETAIL A
SCALE 5 : 1



DETAIL I
SCALE 5 : 1

NOTES :-

- * MARK DIM. ARE CRITICAL TO QUALITY.
- TOLERANCE CLASS AS PER BS EN 755-9:2008, UNLESS OTHERWISE SPECIFIED.
- MATERIAL : ALUMINIUM 6063 - T6.
- ANGULAR TOLERANCE : ±1.0°

<p>Metaflex DOORS</p> <p>Metaflex Doors India Pvt. Ltd. 8A, Part I & II, Udyog Vihar, Greater Noida (U.P.) 201306 Phone: +91-120-4751022 Fax: +91-120-4751026 Mob: +91 9310303754 www.metaflex.in</p>	Projection	Toi.	REF. TABLE	Drawn	PRAVEEN	Proj. Canopy SL-500
		NC-File	N/A	Dr.date	03/02/2023	
		SheetM	N/A	Chkd	ANUJ SINGH	
	Mat.	Aluminium 6063 T6	Ch.date	03/02/2023		
Finish	Silver Anodised 10~12 Micron	Dim.	mm	Sheet 1 of 1		
Art.nr.		Scale	1:2	This drawing contains confidential information and is the property of Metaflex Doors India Pvt. Ltd. without whose permission it may not be copied, shown or handed to a third party or otherwise used.		
Description		Canopy SL-500			Format:	
Dep.	Config.	Title	Drwg No.	rev.	A3	
	Default	Canopy SL-500				