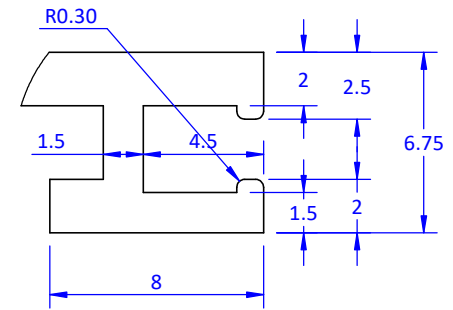
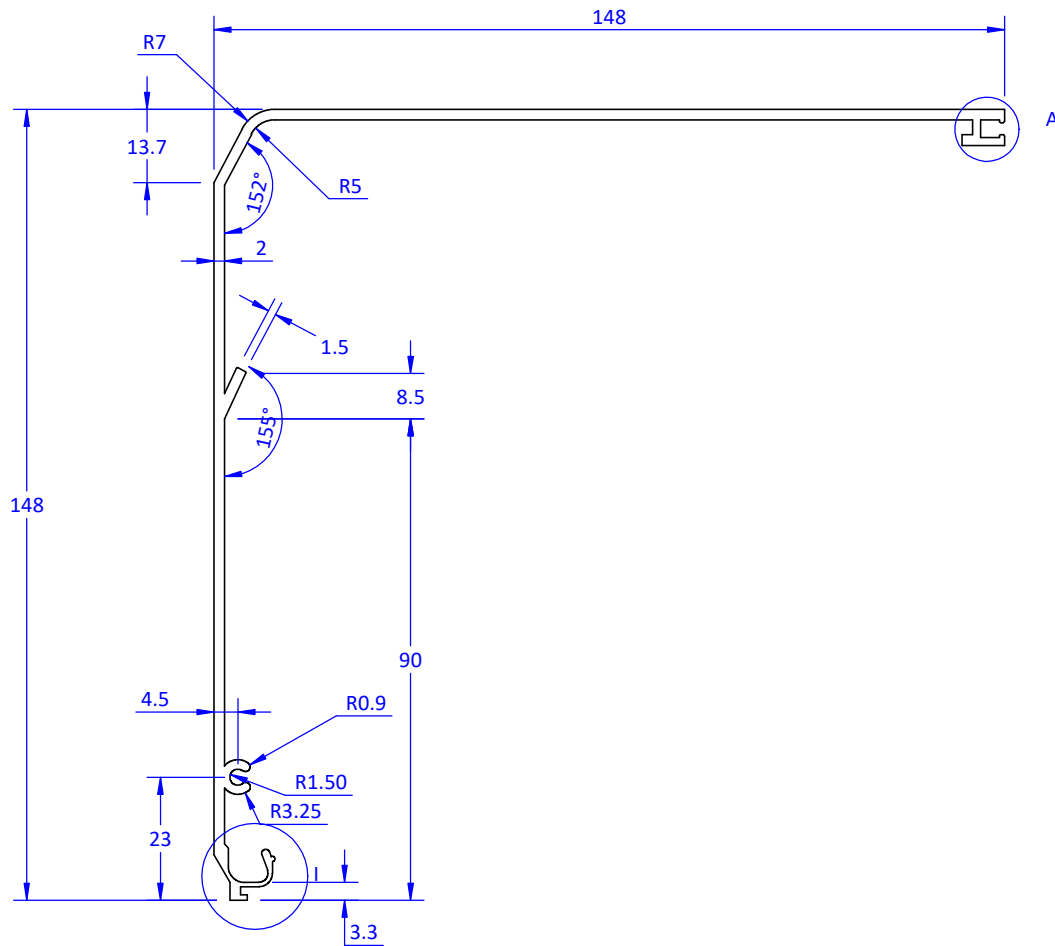
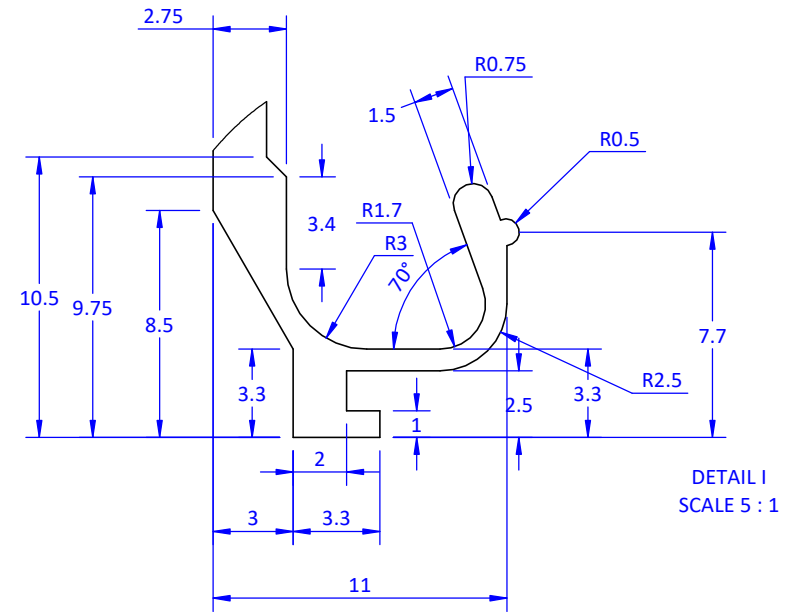


IF IN DOUBT, PLEASE ASK.



DETAIL A
SCALE 5 : 1



DETAIL I
SCALE 5 : 1

NOTES :-

1. '*' MARK DIM. ARE CRITICAL TO QUALITY.
2. TOLERANCE CLASS AS PER BS EN 755-9:2008, UNLESS OTHERWISE SPECIFIED.
3. MATERIAL : ALUMINIUM 6063 - T6.
4. ANGULAR TOLERANCE : $\pm 1.0^\circ$

<p>metaflex DOORS</p> <p>Metaflex Doors India Pvt. Ltd. 8A, Part I & II, Udyog Vihar, Greater Noida (U.P.) 201306 Phone: +91-120-4751022 Fax: +91-120-4751026, Mob: +91 9310303754 www.metaflex.in</p>	Projection 	Tol. NC-File N/A SheetM. N/A	REF. TABLE N/A	Drawn PRAVEEN Dr.date 03/02/2023	Proj. Canopy SL-500 Sheet 1 of 1
	Mat. Aluminium 6063 T6	Chkd ANUJ SINGH Ch.date 03/02/2023	This drawing contains confidential information and is the property of Metaflex Doors India Pvt. Ltd. without whose permission it may not be copied, shown or handed to a third party or otherwise used		
	Finish Silver Anodised 10~12 Micron	Dim. mm Scale 1:2	Description Canopy SL-500		
	Art.nr.		Format: A3		
Dep. Default	Config. Default	Title Canopy SL-500	Drwg No. Canopy SL500	rev. 0	