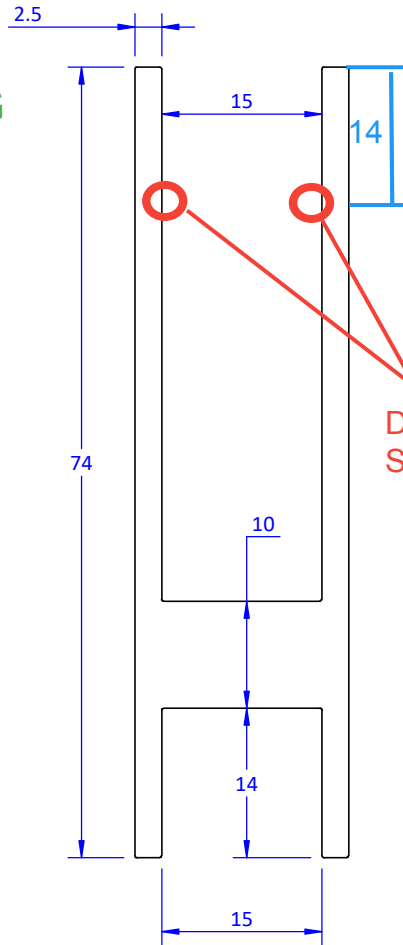


IF IN DOUBT, PLEASE ASK.

PROPOSED DRAWING

Q00405



DUE TO LONG LEG DIE WILL BE MADE SEMI-HOLLOW
SMALL LINE MARK WILL COME ON MARKED AREA

NOTES :-

1. '*' MARK DIM. ARE CRITICAL TO QUALITY.
2. TOLERANCE CLASS AS PER BS EN 755-9:2008, UNLESS OTHERWISE SPECIFIED.
3. MATERIAL : ALUMINIUM 6063 - T6.
4. ANGULAR TOLERANCE : $\pm 1.0^\circ$

<p>Metaflex DOORS</p> <p>Metaflex Doors India Pvt. Ltd. 8A, Part I & II, Udyog Vihar, Greater Noida (U.P.) 201306 Phone: +91-120-4751022 Fax: +91-120-4751026, Mob: +91 9310303754 www.metaflex.in</p>	Projection	Tol.	REF. TABLE	Drawn	PRAVEEN	Proj.
		NC-File	N/A	Dr.date	03/02/2023	
		SheetM.	N/A	Chkd	ANUJ SINGH	Door Profile Bottom SL300
	Mat.	Aluminium 6063 T6	Ch.date	03/02/2023		
Finish	Silver Anodised 10~12 Micron	Dim.	mm	Sheet 1 of 1		
Art.nr.		Scale	1:2			
This drawing contains confidential information and is the property of Metaflex Doors India Pvt. Ltd. without whose permission it may not be copied, shown or handed to a third party or otherwise used						
Description						Format:
Door Profile Bottom SL300						A3
Dep.	Config.	Title	Drwg No.	rev.		
	Default	Door Profile Bottom SL300	Door Profile Bottom	0		