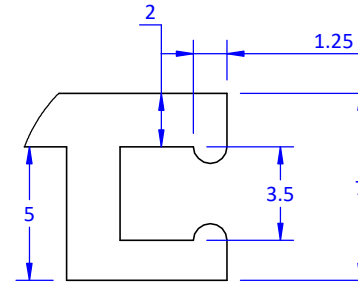
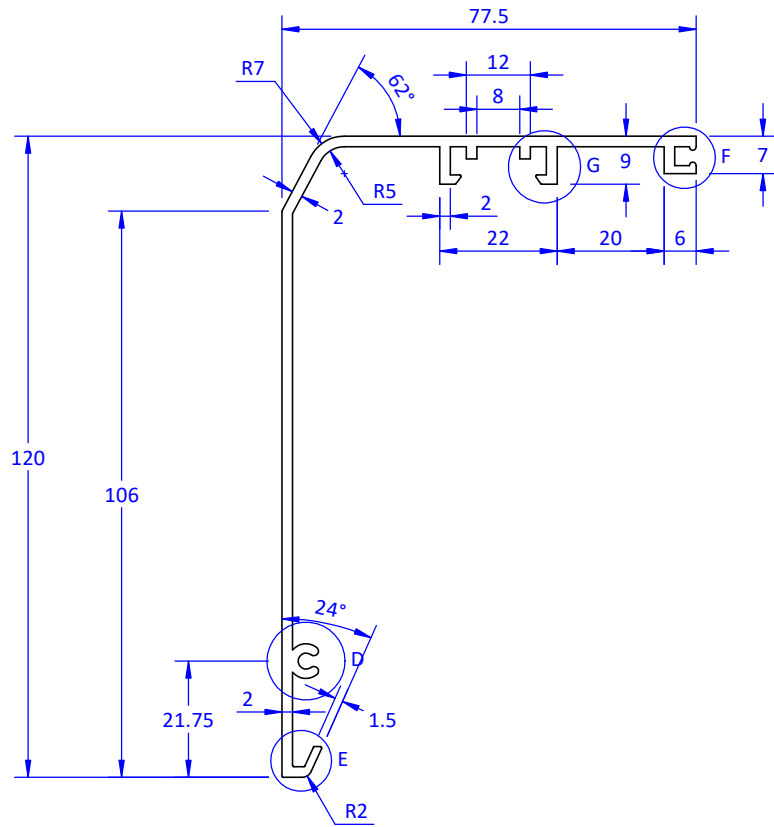
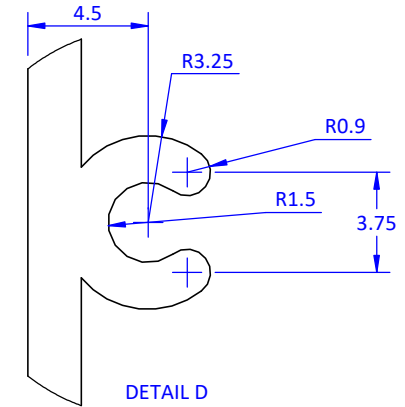


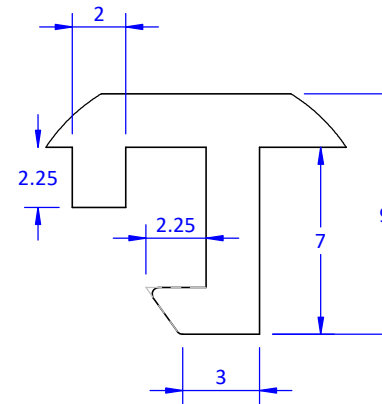
**IF IN DOUBT, PLEASE ASK.**



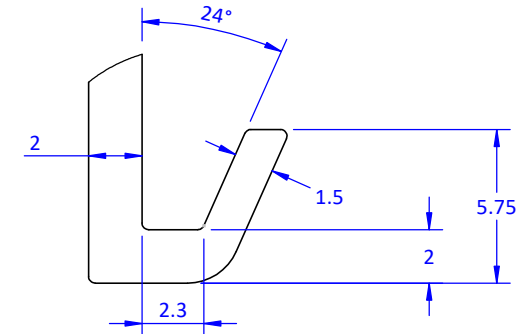
DETAIL F  
SCALE 5 : 1



DETAIL D  
SCALE 5 : 1



DETAIL G  
SCALE 5 : 1



DETAIL E  
SCALE 5 : 1

**NOTES :-**

1. '\*' MARK DIM. ARE CRITICAL TO QUALITY.
2. TOLERANCE CLASS AS PER BS EN 755-9:2008, UNLESS OTHERWISE SPECIFIED.
3. MATERIAL : ALUMINIUM 6063 - T6.
4. ANGULAR TOLERANCE :  $\pm 1.0^\circ$

<p><b>metaflex</b> DOORS</p> <p>Metaflex Doors India Pvt. Ltd. 8A, Part I &amp; II, Udyog Vihar, Greater Noida (U.P.) 201306 Phone: +91-120-4751022 Fax: +91-120-4751026, Mob: +91 9310303754 <a href="http://www.metaflex.in">www.metaflex.in</a></p>	<b>Projection</b> 	<b>Tol.</b> NC-File N/A SheetM. N/A	REF. TABLE N/A	<b>Drawn</b> PRAVEEN	<b>Proj.</b> Canopy SL-300  Sheet 1 of 1  <b>Format:</b> A3
	<b>Mat.</b> Aluminium 6063 T6	<b>Dr.date</b> 03/02/2023	<b>Chkd</b> ANUJ SINGH	<b>Ch.date</b> 03/02/2023	
	<b>Finish</b> Silver Anodised 10~12 Micron	<b>Dim.</b> mm	<b>Scale</b> 1:2	This drawing contains confidential information and is the property of Metaflex Doors India Pvt. Ltd. without whose permission it may not be copied, shown or handed to a third party or otherwise used	
	<b>Art.nr.</b> Canopy SL-300	<b>Description</b> Canopy SL-300	<b>Title</b> Canopy SL-300	<b>Drwg No.</b> Canopy SL300	