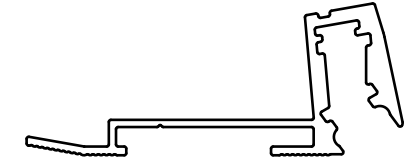


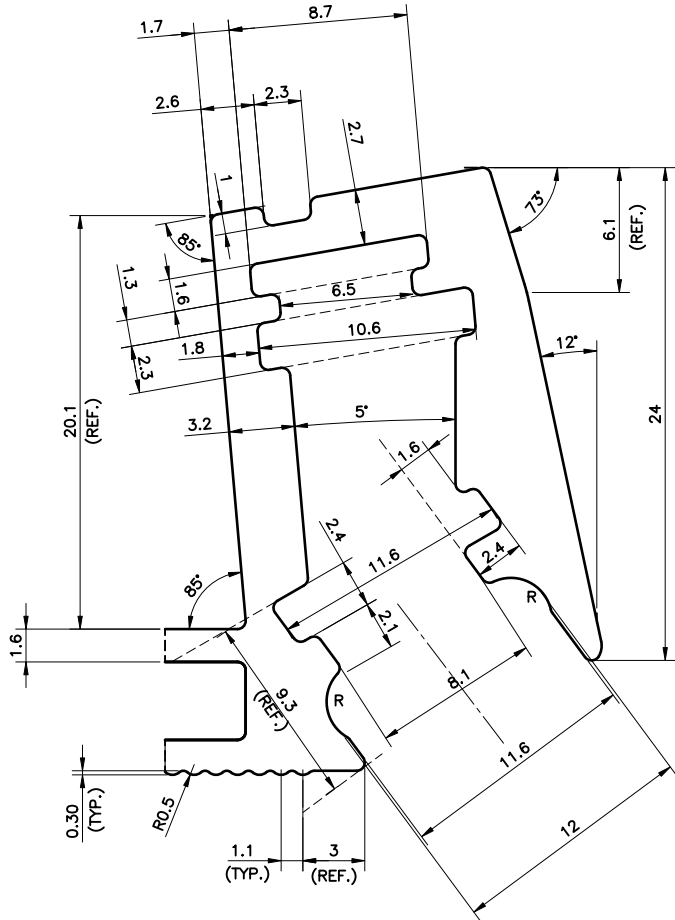
BEFORE APPROVAL CHECK ALL DIMENSIONS PROPERLY

PROPOSED DRAWING

Q00409



SCALE 1:1

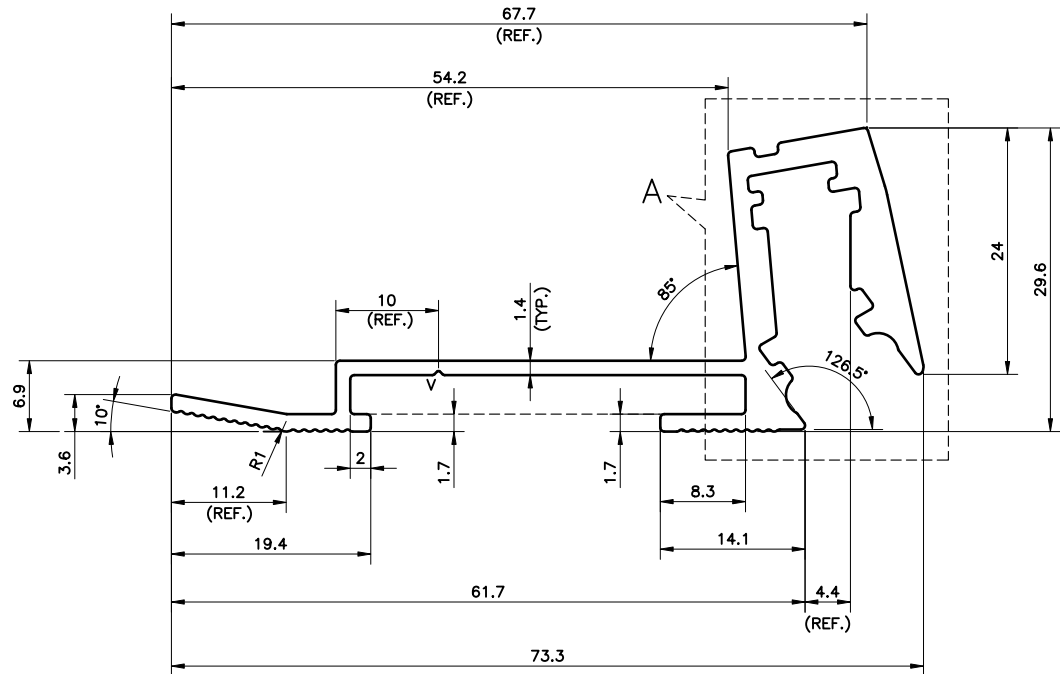



DETAIL A
SCALE 4:1

NOTE:-

$R = 2.00R$

$V = 0.25 \times 90^\circ \text{ V-GROOVE}$



 SYMBOL OF QUALITY AN ISO 9001 COMPANY	JINDAL ALUMINIUM LTD. BHIWADI-301019 (INDIA)		NAME	DATE	
			DRAWN	AMIT	31-01-2023
			CHECKED		
			APPROVED		
1. ALL DIMENSIONS ARE IN mm. 2. ROUND OFF ALL SHARP CORNERS WITH 0.40 mm. 3. TOLERANCES WILL BE AS PER BS:EN-755-9, UNLESS OTHERWISE SPECIFIED			SCALE	1:1,2:1&4:1	
			AREA mm ²	303.94	
			PERIMETER mm.	287.72	
			WEIGHT kg/m	0.821	
PARTY'S NAME	M/s. ECOLIGHTING	DRAWING No.	SECTION No.		
PARTY'S DRAWING No.	AS PER SAMPLE				
ALLOY & TEMPER	6063-T6				
DESCRIPTION	-				