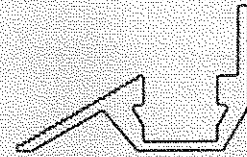
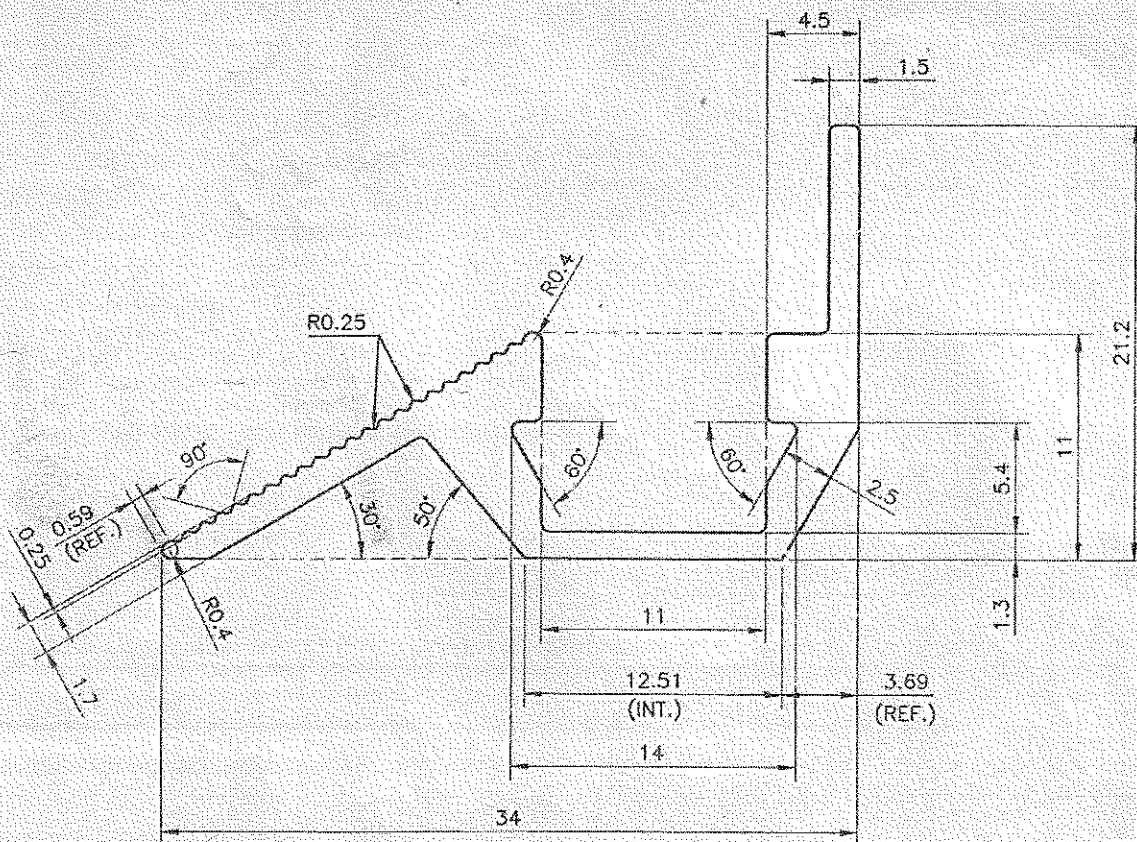


BEFORE APPROVAL CHECK ALL DIMENSIONS PROPERLY

PROPOSED DRAWING



SCALE 1:1



SYMBOL OF QUALITY  
AN ISO 9001 COMPANY

**JINDAL ALUMINIUM LTD.**  
BHIWADI-301019 (INDIA)

1. ALL DIMENSIONS ARE IN mm.
2. ROUND OFF ALL SHARP CORNERS WITH 0.40 mm.
3. TOLERANCES WILL BE AS PER BS:EN-755-9, UNLESS OTHERWISE SPECIFIED

|                     |                  |
|---------------------|------------------|
| PARTY'S NAME        | M/s. ECOLIGHTING |
| PARTY'S DRAWING No. | AS PER SAMPLE    |
| ALLOY & TEMPER      | 6063-T6          |
| DESCRIPTION         | ---              |

|                      | NAME        | DATE       |
|----------------------|-------------|------------|
| DRAWN                | AMIT        | 31-01-2023 |
| CHECKED              |             |            |
| APPROVED             |             |            |
| SCALE                | 1:1&3:1     |            |
| AREA mm <sup>2</sup> | 123.89      |            |
| PERIMETER mm.        | 128.843     |            |
| WEIGHT kg/m          | 0.335       |            |
| DRAWING No.          | SECTION No. |            |
| ---                  | ---         |            |
| ---                  | ---         |            |
| ---                  | ---         |            |