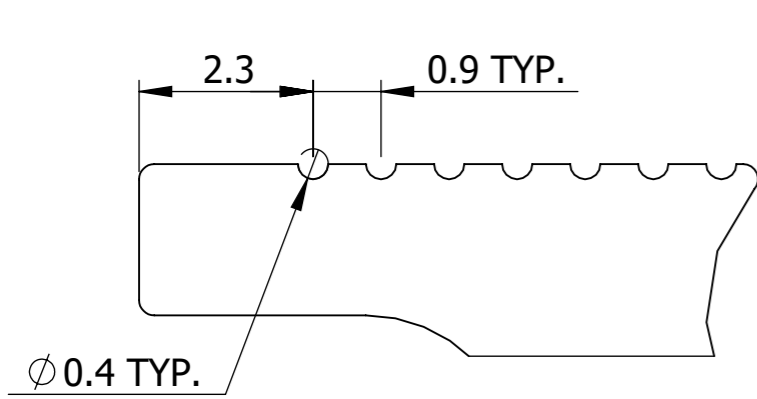
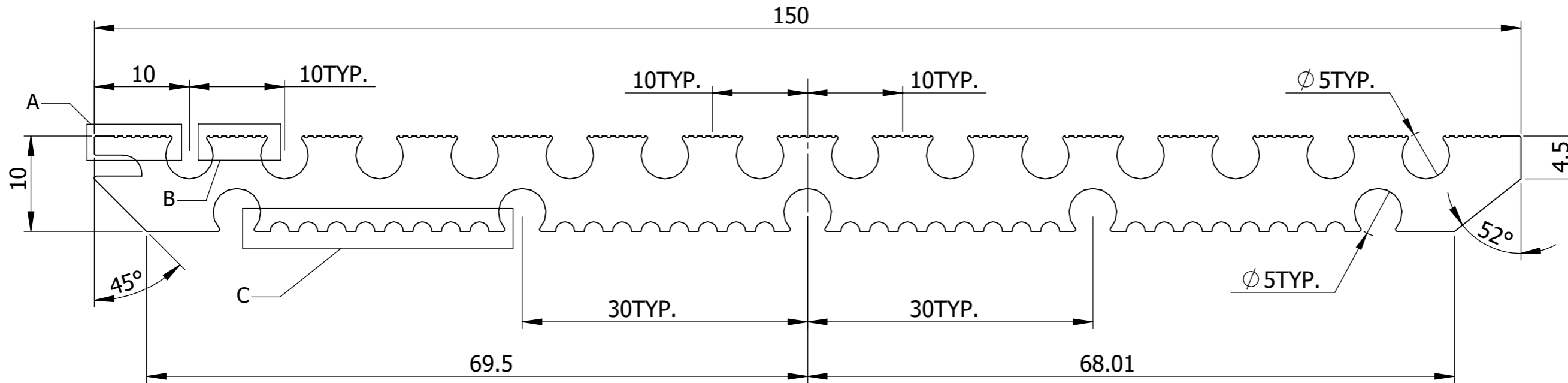
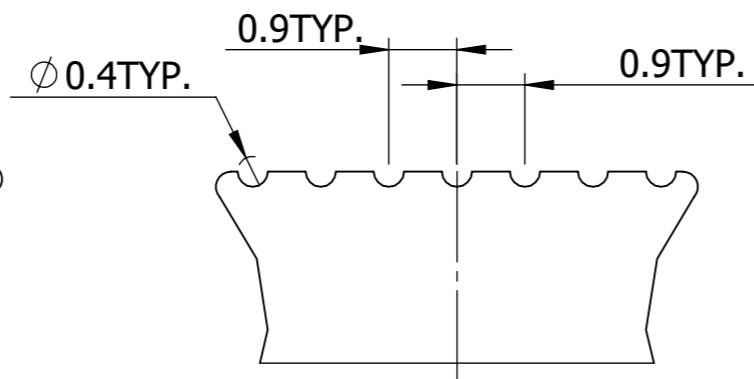


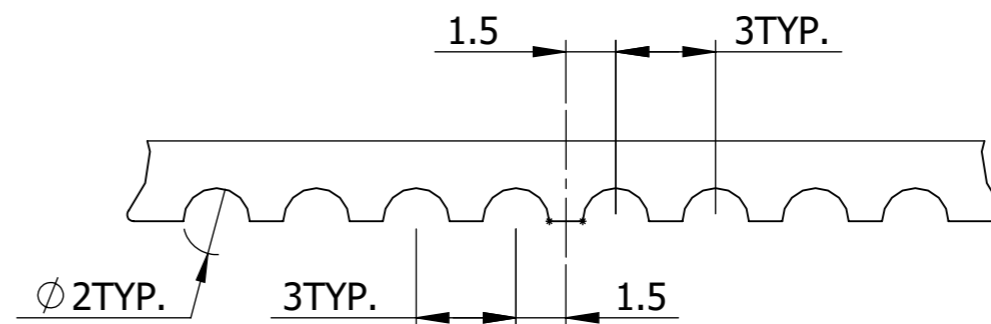
# BED CROSS SECTION VIEW



DETAIL A  
SCALE 10 : 1



DETAIL B  
SCALE 10 : 1



DETAIL C  
SCALE 4.4 : 1

DESIGNED BY <b>SAI</b>
DRAWN BY <b>DINESH</b>
DATE 3-8-22
CHECKED BY <b>SAI</b>
DATE 3-8-22
APPROVED BY <b>KRISHNA 9717844766</b>
DATE 3-8-22
ISSUE BY <b>SATISH</b>
ISSUE DATE 3-8-22
ISSUED TO <b>MACHINING</b>
VOLUME
SURFACE AREA
APPERANCE
MASS gram.
QUANTITY NO.
THICKNESS
LENGTH
WIDTH
MATERIAL
SCALE
SHEET SIZE A3
SHEETS 1
REFERENCE NUMBER

SKILLS REQUIREMENT  
1, DEBURRING, SHARP EDGE DULL;



BED 2023

VERSION

1