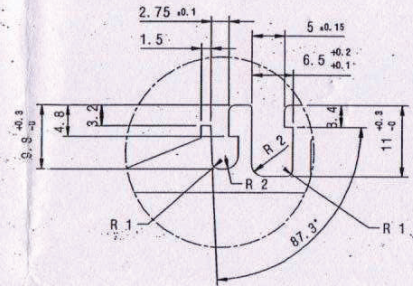
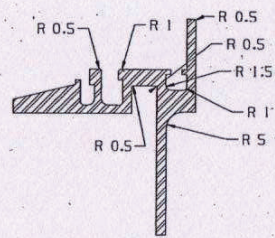
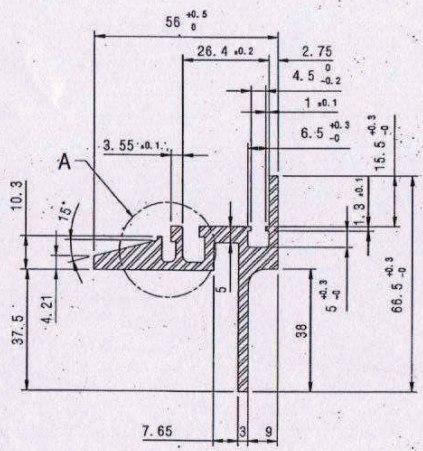


1	2	3	4	5	6	7	8	9	10	11	12	13
---	---	---	---	---	---	---	---	---	----	----	----	----

ALT. NO	ALT. DATE	ZONE	ALTERATIONS	AUTHORITY
□	22/05/2006	F-12	MATERIAL GRADE CHANGED FROM 63400 WP TO 63400 W	DIC. NO. MDO30177



DETAIL AT-A
SCALE 2:1



मार्गदर्शक
Enterec
को
Into
दस्तावेज को
Date 3 JUN 2006

NOTE:

1. THIS COMPONENT SHALL BE MANUFACTURED ONLY BY EXTRUSION PROCESS.
2. CROSS SECTIONAL AREA= 589 SQ.MM
3. DIMENSIONAL TOLERANCES ON CROSS-SECTION, TWIST, STRAIGHTNESS, LENGTH ETC. SHALL CONFORM TO IS: 3965-1981, IS: 2673-1981, IS: 6477-1983 UNLESS OTHERWISE SPECIFIED.
4. 0.5mm RADIUS WHERE NOT SPECIFIED.

NIL	ALUMINUM FRAME SECTION	NIL	NIL	IS:733-B3 63400 W	NIL
-----	------------------------	-----	-----	----------------------	-----

WELD LENGTH	ITEM	DESCRIPTION & DIMENSIONS	OPASSLY	DETAIL DRG	MATL. & SPEC.	REMARKS
NIL	M	GROUP WINDOW SEALING	SUPERSEDES: LW54145 ALT NIL			

WEIGHT	FILE	\\Nas\dev\aman\LW54145a.prt (2D)				
--------	------	----------------------------------	--	--	--	--

NIL	KG	ALUMINUM FRAME SECTION FOR WINDOWS ALTERNATE DESIGN			SCALE	SSE/REC	<i>Am</i>
NIL	M ²				1: 1	CHD	TPSI
NIL	M				DRN	AMAN	<i>Am</i>

NIL	M	RAIL COACH FACTORY, KAPURTHALA			REF. DRG. No.	C 50307 X	
-----	---	--------------------------------	--	--	---------------	-----------	--

INDIAN RAILWAYS STANDARD				PL NO.	NIL		
--------------------------	--	--	--	--------	-----	--	--

				DRG. NO. LW54145			
--	--	--	--	------------------	--	--	--

NIL	M	ADP/SME	DY.CME	CDE	ALT.	□	SIZE A2 SHEET 1/1
-----	---	---------	--------	-----	------	---	-------------------

DETAIL DRGS STARTING WITH "LI" ARE INTERNAL REFERENCE LISTS ONLY AND ARE NOT FOR ISSUE

ANY MANUAL ALTERATION SHALL AUTOMATICALLY RENDER THIS DRAWING INVALID.

FOR UNTOLERANCED DIMENSIONS REFER MDO0008	DATE OF FIRST ISSUE	09/08/2005	CGN BY	<i>Am</i>
---	---------------------	------------	--------	-----------

1	2	3	4	5	6	7	8	9	10	11	12	13
---	---	---	---	---	---	---	---	---	----	----	----	----