

A B C D E F G H J K

1

2

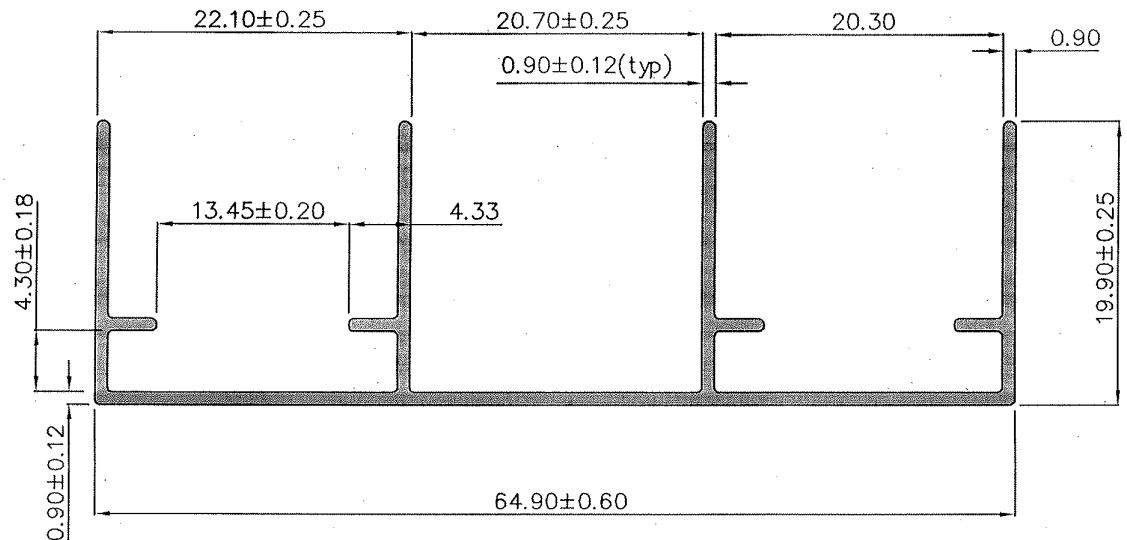
3

4

5

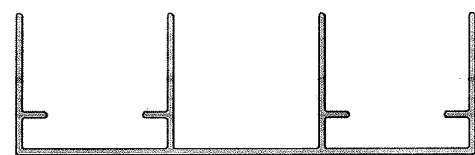
6

7



Scale 2:1

Hettich India Pvt. Ltd - Indore
Control Copy



SCALE 1:1

MM	TOLERANCE
<1	±0,1
>1-2	±0,12
>2-3	±0,14
>3-4	±0,16
>4-6	±0,18
>6-12	±0,2
>12-19	±0,23
>19-25	±0,25
>25-38	±0,3
>38-50	±0,36
>50-100	±0,61
>100-150	±0,86
>150-200	±1,12
>200-250	±1,37

NOTE:-
 # ALL DIMENSIONS ARE IN MM.
 # UNSPECIFIED R 0.30 MM
 # UNSPECIFIED TOLERANCE AS PER IS-3965 -1981
 # COUSTOMER TO CHECK ALL DATA BEFORE APPROVAL
 # TWIST & STRAIGHTNESS - 1.70 MM/M & 1.70 MM/M
 # FLATNESS - As per standard
 # EXPOSED SURFACE SHALL BE FREE OF SCRATCHES AND OR ANY VISUAL DEFECTS

Weitergabe sowie Vervielfaeltigung dieser Zeichnung, Verwendung und Mitteilung ihres Inhaltes sind verboten, soweit nicht ausdruuecklich gestattet. Zuwiderhandlungen verpflichten zu Schadenersatz. Alle Rechte fuer den Fall der Patent-, Gebrauchsmuster-, oder Geschmacksmustereintragung vorbehalten.											
The reproduction, distribution and utilization of this drawing as well as the communication of its contents to others without explicit authorization is prohibited. Offenders will be held liable for the payment of damages. All rights reserved in the event of the grand of a patent, utility model or design.											
Weight kg/m	0.375	Perimeter. Ex.	306.19	Date	Name	Ind.	VS	Revision			
Aera Sq. mm	139.03	Perimeter In.	xx.xx.xxxx	xxxxxx	xx	xx				
Hradness	60 -70	Alloy / Temper	Al-6063 / T6	xx.xx.xxxx	xxxxxx	xx	xx				
Hettich	ISO 16016 Spec. applicable			DIN A4	Date	Name	Material :- Aluminum 6063				
	XX X XX Control number according to HNN 0102			Detail.	01-01-2021	Pankaj Sagore	Finish :- Anodized				
	In case of change check			Aprrov.	Ganesh Rath	Description :-				
				Scale	Proj.	State	SL-16 Profile				
Hettich India Pvt. Ltd. Pithampur		Section no.	HIN-1019-01	Develop.-No.			Type	Hettich Ref. Product code	922602600	Rev.	Sheet
						xxxx	Factory SAP Code	928884600	--	x of xx	
						x	Customer Name	Hettich			

A B C D E F G H J K