

**From:** Ratnesh Kumar Mishra <[rkmishra@jindalaluminium.com](mailto:rkmishra@jindalaluminium.com)>  
<<mailto:rkmishra@jindalaluminium.com>>>  
**Sent:** Monday, August 28, 2023 3:19 PM  
**To:** Vipeel Rambhal <[vipeel.rambhal@jindalaluminium.com](mailto:vipeel.rambhal@jindalaluminium.com)>  
<<mailto:vipeel.rambhal@jindalaluminium.com>>>  
**Cc:** Vipin Srivastava <[vipinsrivastava@jindalaluminium.com](mailto:vipinsrivastava@jindalaluminium.com)>  
<<mailto:vipinsrivastava@jindalaluminium.com>>>; Jitendra Narain Rai  
<[jnrai@jindalaluminium.com](mailto:jnrai@jindalaluminium.com)> <<mailto:jnrai@jindalaluminium.com>>>  
**Subject:** RE: WorkSheetNumber:- (QWS000157202308,SIDHARTH STEELS & GLASS INDUSTRIES)

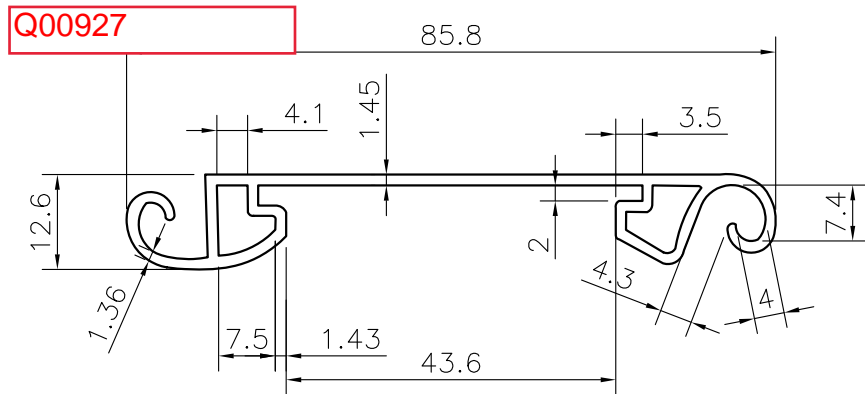
Dear Vipeel,

Please find attached CAD file.

Warm Regards **Ratnesh Kumar Mishra** Manager - B&C Marketing (Extrusion) **M: +91 742-826-5055**

*DISCUSS WITH CUSTOMER:-*

*THEY HAVE REQUIRED AS PER AUTOCAD*



Area:240.972 Sq.mm. | Perimeter:266.178 mm. | Weight:0.651 Kg./mtr.