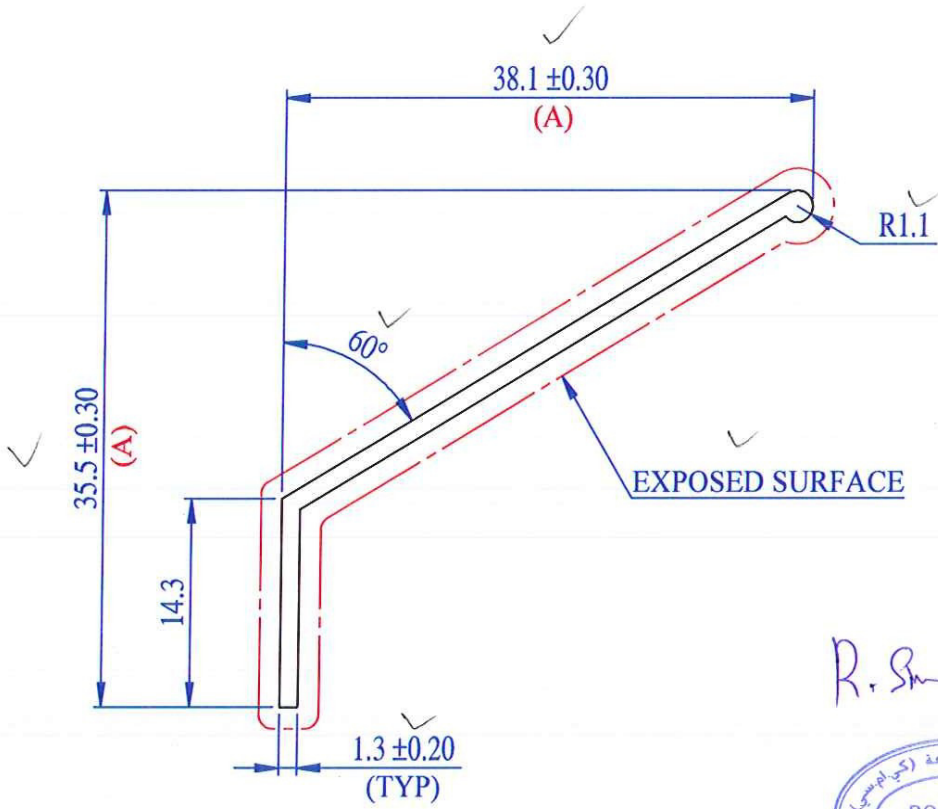
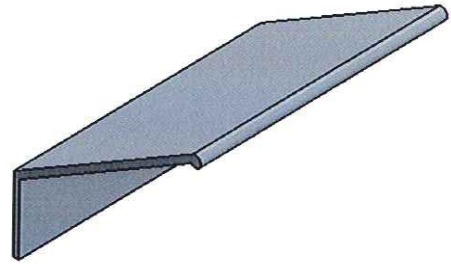


Q00436



*R. Sh...*



**KMC PART NAME : -DF BLADE**

LOCATION:-  
ALL DIMENSION ARE IN mm.  
UNSPECIFIED CORNER RADIUS:0.40

**PLEASE SPECIFY THE EXPOSED SURFACE**  
TOL. AS PER BS EN 755-9:2008  
UNLESS SPECIFIED

TWIST=±1/4°/300 M.M./M.  
FLATNESS= WIDTH X 0.005mm.  
STRAIGHTNESS= 1.50 M.M./MTR.  
ANGULARITY=±1.5°

**INDO ALUSYS INDUSTRIES LIMITED BHIWADI RAJASTHAN - 301019**

PARTY SAMPLE & DRG. K111006003		PARTY NAME M/S KHALID MANUFACTURIG Co.		REF:- AS PER DRG. Dt.-27.06.15			
			DRAWN	DHARMVIR	27.06.15	AREA	74.98 MM <sup>2</sup>
			CHECKED			WEIGHT	0.203 KG/M.
			APPROVED			WT. RANGE	----- Kg/12
	(A)	TOL. ±0.30 WAS ±0.40mm.	SCALE	1:1 & 2:1	DATE	ALLOY	6063-T6
OO	(REF.)	AS PER EMAIL ON Dt.-28.07.15	CRITICAL DIM.	*		MAL NO	14998
REV. STATUS	REV. NO.	DESCRIPTION	SIGN DATE	PERIMETER	INT.	SEC.NO.	
A4		REVISION			EXT.		116.51

