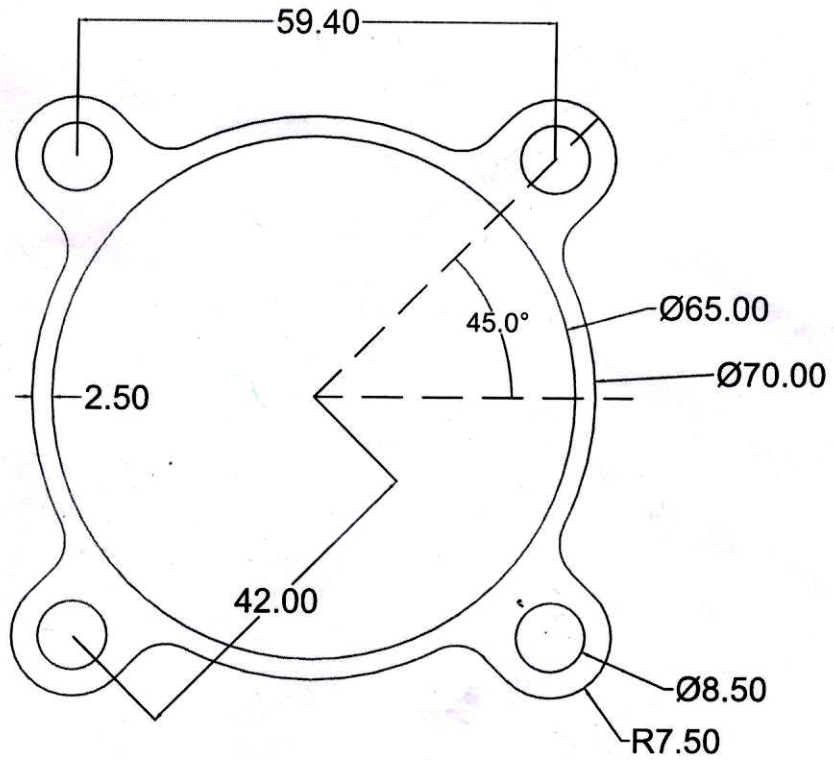


SCALE: 1:1

APPROVAL :-

COMPANY
RUBBER
STUMP

DATE:-
SIGN..



TOL. AS PER B.S.1474:1987

NOTE:- ALL DIMENSIONS ARE IN (mm).

UN SPECIFIED CORNER RADIUS:-±0.25

NOTE:- FITTING COMPLAINTS WILL NOT BE CONSIDERED IF FITMENT DOES NOT PROVIDED BEFORE DIE DEVELOPMENT.