

4

3

2

1

D

D

C

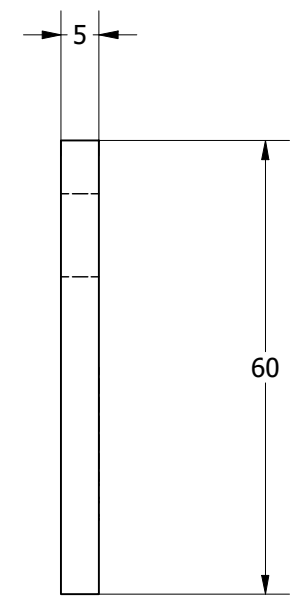
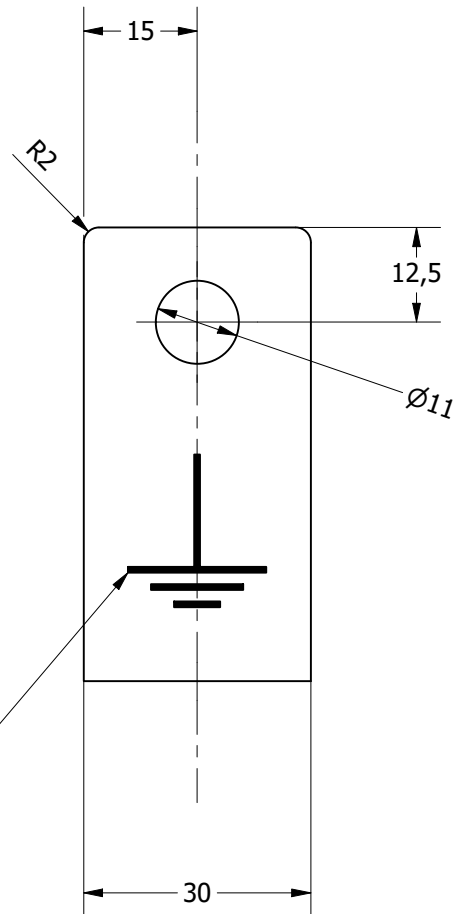
C

B

B

A

A



**Marcatura Laser  
simbolo terra  
da realizzare internamente**

Laser Marking  
earth symbol

General Tolerances ISO 2768-1 Linear Dimensions mm							
from	0,5	3	6	30	120	400	1000
to	3	6	30	120	400	1000	4000
m	±0.1	±0.1	±0.2	±0.3	±0.5	±0.8	±1.2
							±2

Unless where otherwise specified, dimensions in this drawing are expressed in mm.  
 Applicable standard for general tolerances  
 ISO 2768-1 General tolerances for linear and angular dimensions.  
 ISO 2768-2 Geometrical tolerances for features without individual tolerance indications

TITOLO/TITLE PIASTRA ALLUMINIO Larg. 30 x5 FORATA		
DISEGNO NR./DRAWING NR. DT.0683.17	CODICE ARTICOLO/ITEM CODE 5200452030000005FO	MATERIALE/MATERIAL Alluminio EN6060
		TOLLERANZA/TOLERANCE m

4

3

2

1