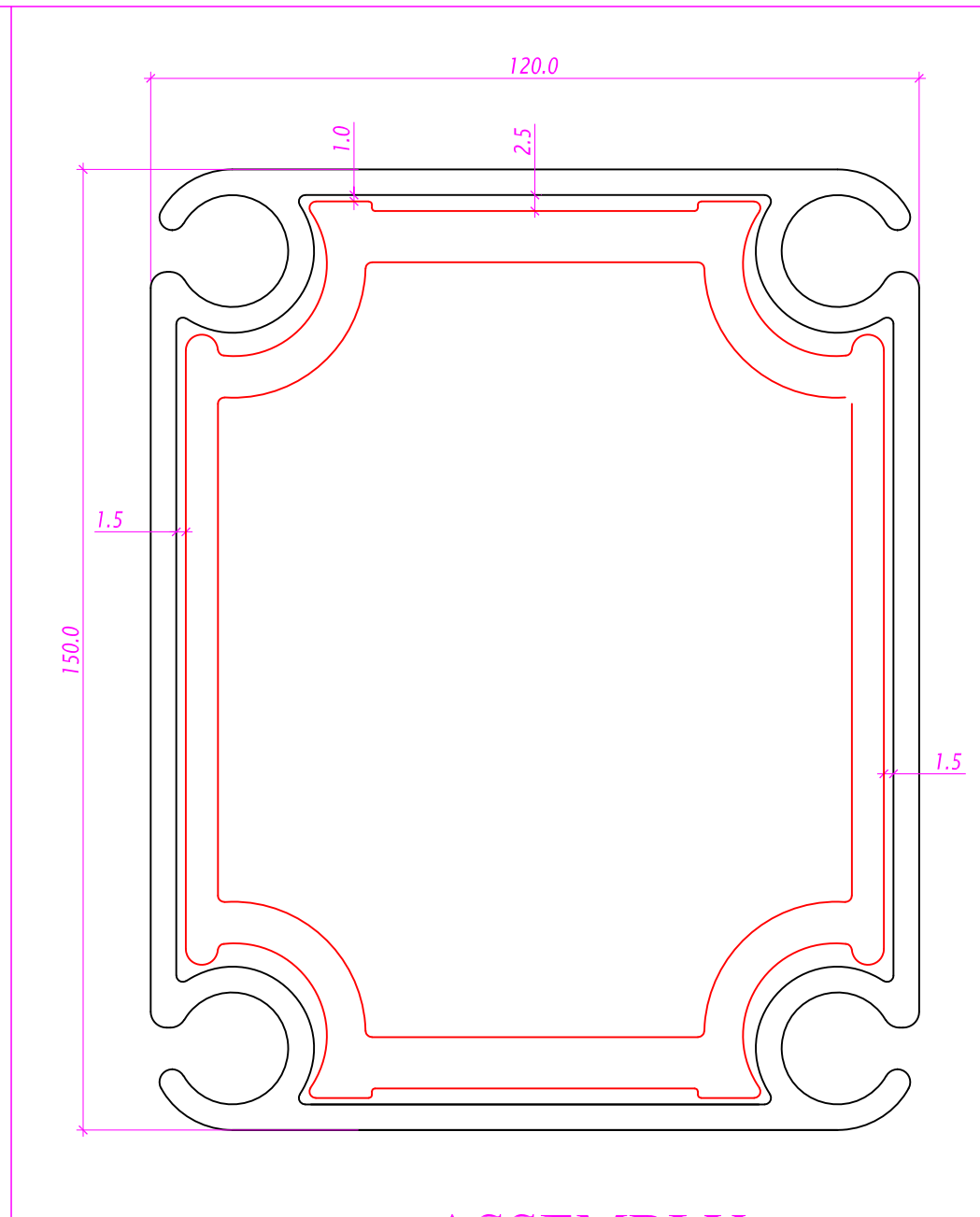
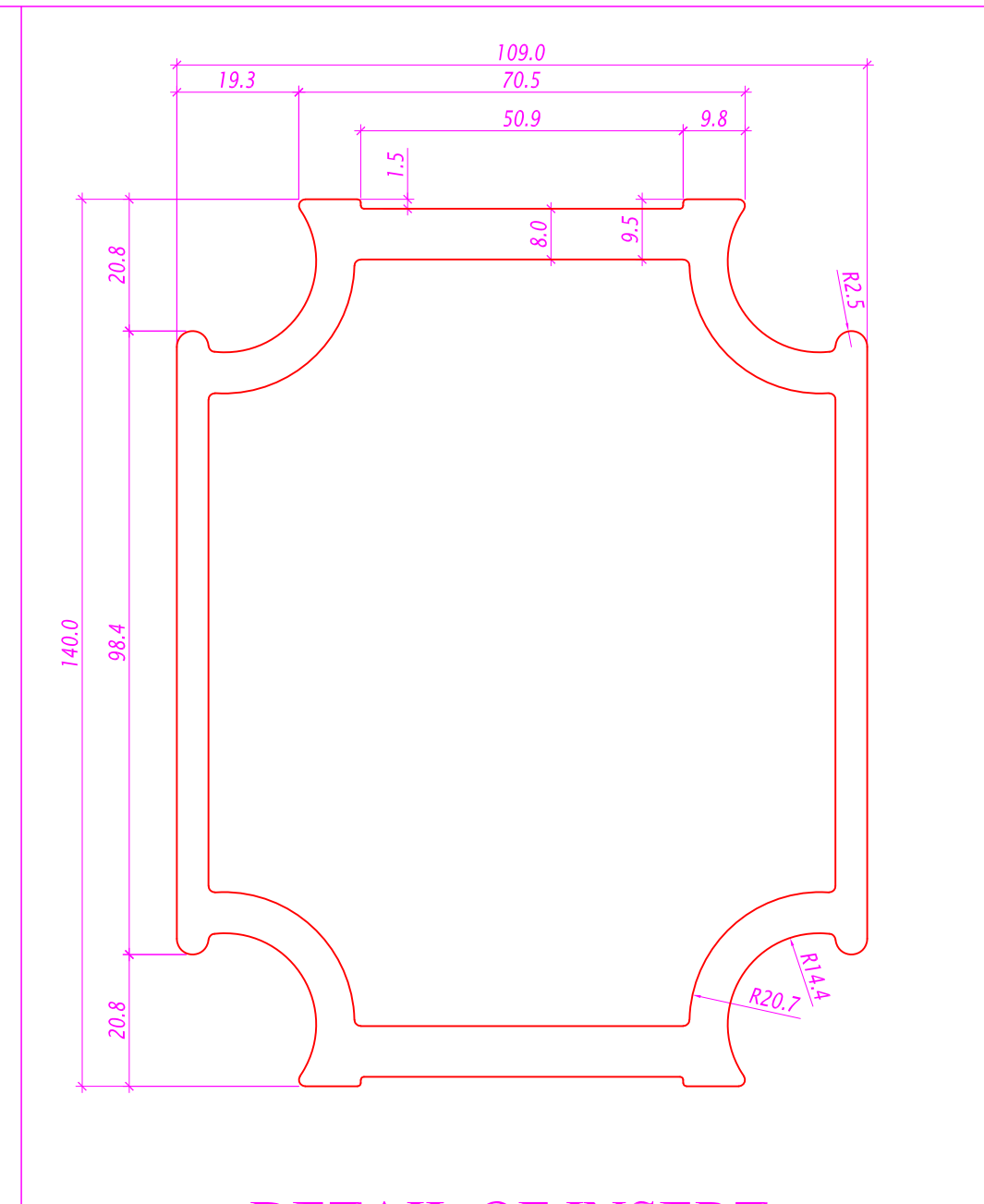


SECTION 120x150x4



ASSEMBLY SECTION WITH SLEEVE



DETAIL OF INSERT SLEEVE