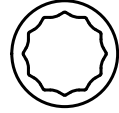


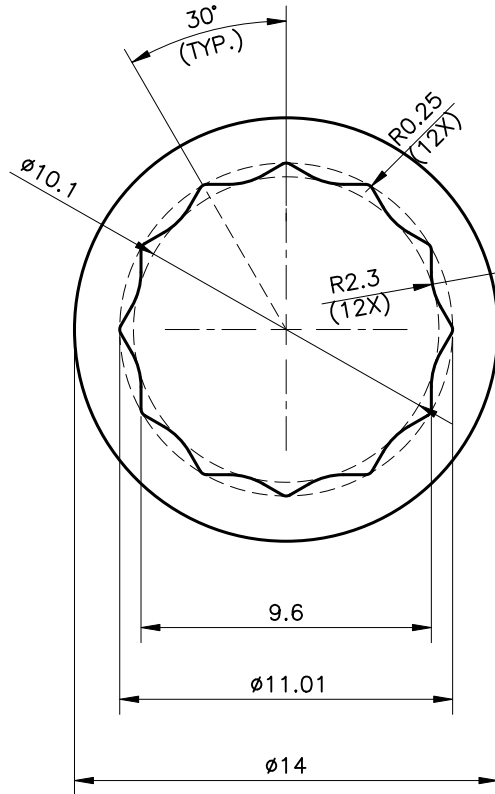
BEFORE APPROVAL CHECK ALL DIMENSIONS PROPERLY

PROPOSED DRAWING

Q00452



SCALE 1:1



SYMBOL OF QUALITY
AN ISO 9001 COMPANY

JINDAL ALUMINIUM LTD.
BHIWADI-301019 (INDIA)

	NAME	DATE
DRAWN	ASHUTOSH	26-03-2023
CHECKED		
APPROVED		

1. ALL DIMENSIONS ARE IN mm.
2. ROUND OFF ALL SHARP CORNERS WITH 0.40 mm.
3. TOLERANCES WILL BE AS PER BS:EN-755-9 , UNLESS OTHERWISE SPECIFIED

SCALE	1:1&4:1
AREA mm ²	68.05
PERIMETER mm.	43.98
WEIGHT kg/m	0.184
DRAWING No.	SECTION No.

PARTY'S NAME	M/s. SWASTIKA AUTOMATICS
PARTY'S DRAWING No.	AS PER DRAWING CYLINDER-CAW212037XX
ALLOY & TEMPER	6063-T6
DESCRIPTION	-

-	