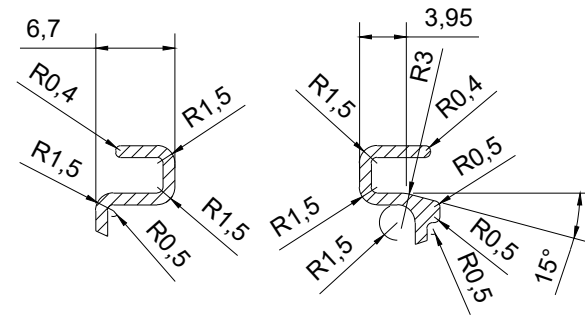


SCALE-1:1



DETAIL-A

UNLESS OTHERWISE SPECIFIED: DIMENSIONS ARE IN MILLIMETERS SURFACE FINISH: TOLERANCES: LINEAR: ANGULAR:				FINISH:		DEBURR AND BREAK SHARP EDGES		DO NOT SCALE DRAWING		REVISION	
								SWASTIKA AUTOMATICS			
								TITLE:			
								FOR EXTRUSION DRAWING			
DRAWN		AJAY KUMAR		SIGNATURE		22/03/23		MATERIAL:		A6063SS-T5	
CHK'D		AJAY KUMAR				22/03/23		DWG. NO.		CASE-CCE3110071	
APPV'D								SCALE:2:1		SHEET 1 OF 1	
MFG										A3	
QA											