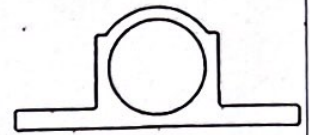
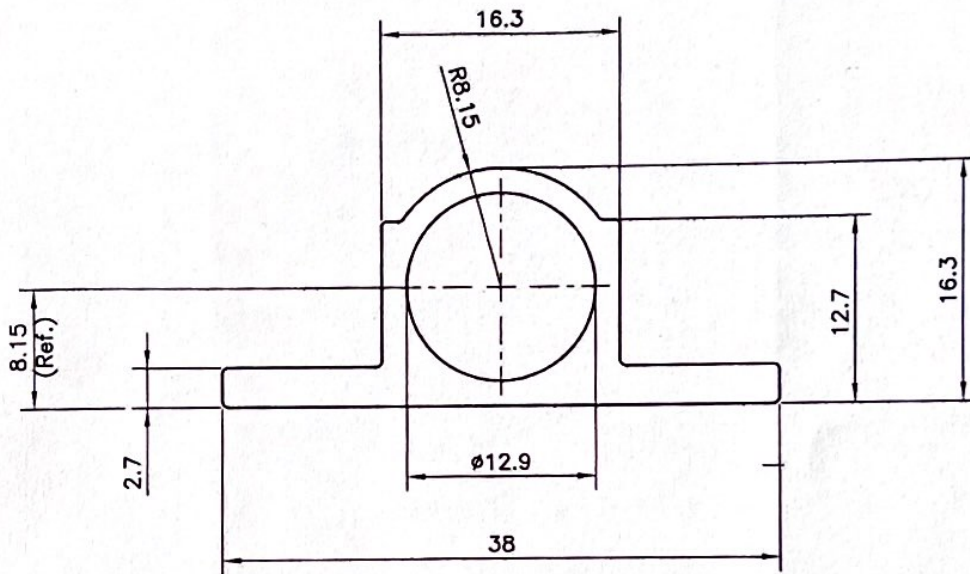


BEFORE APPROVAL CHECK ALL DIMENSIONS PROPERLY

PROPOSED DRAWING



SCALE 1:1



WEIGHT RANGE : 1.585KG/12' TO 1.750 KG/12'

*Die is ok
Rate Required as per 18016
Tolerance wt range between 1.600 to 1.720*



SYMBOL OF QUALITY
AN ISO 9001 COMPANY

JINDAL ALUMINIUM LTD.

BHIWADI-301019 (INDIA)

1. ALL DIMENSIONS ARE IN mm.
2. ROUND OFF ALL SHARP CORNERS WITH 0.40 mm.
3. TOLERANCES WILL BE AS PER BS:EN-755-9 , UNLESS OTHERWISE SPECIFIED

NAME	* IMPERIAL METAL MART	
DRAWN	ASHUTOSH	21-03-2023
CHECKED		
APPROVED		
SCALE	1:1&2:1	
AREA mm ²	169.01	
PERIMETER mm.	102.39	
WEIGHT kg/m	0.456	
DRAWING No.		SECTION No.

PARTY'S NAME	M/s. IMPERIAL METALMART-DELHI
PARTY'S DRAWING No.	AS PER MAIL -21.03.2023
ALLOY & TEMPER	HE9 WP
DESCRIPTION	TOWER BOLT

