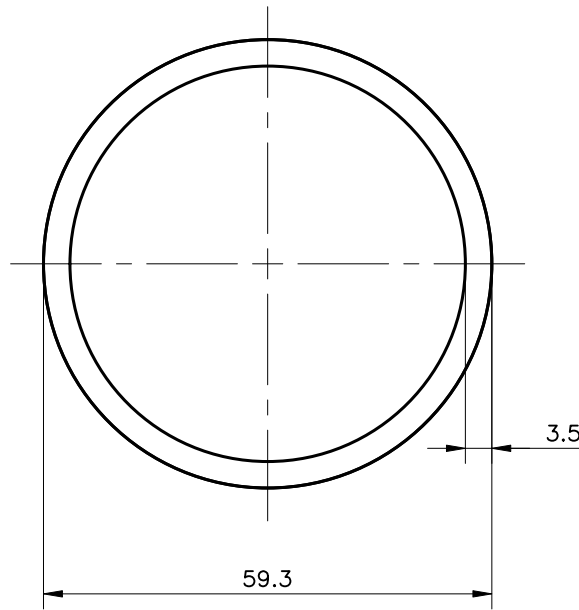


BEFORE APPROVAL CHECK ALL DIMENSIONS PROPERLY

PROPOSED DRAWING

Q00460



SYMBOL OF QUALITY
AN ISO 9001 COMPANY

JINDAL ALUMINIUM LTD.
BHIWADI-301019 (INDIA)

	NAME	DATE
DRAWN	ASHUTOSH	26-03-2023
CHECKED		
APPROVED		

1. ALL DIMENSIONS ARE IN mm.
2. ROUND OFF ALL SHARP CORNERS WITH 0.40 mm.
3. TOLERANCES WILL BE AS PER BS:EN-755-9 , UNLESS OTHERWISE SPECIFIED

SCALE	1:1
AREA mm ²	613.55
PERIMETER mm.	186.30
WEIGHT kg/m	1.657
DRAWING No.	SECTION No.

PARTY'S NAME	M/s. ANAND NVH PRODUCTS INC.
PARTY'S DRAWING No.	AS PER DRAWING-U-F01448-D12
ALLOY & TEMPER	6061-T6
DESCRIPTION	ROUND TUBE

-	