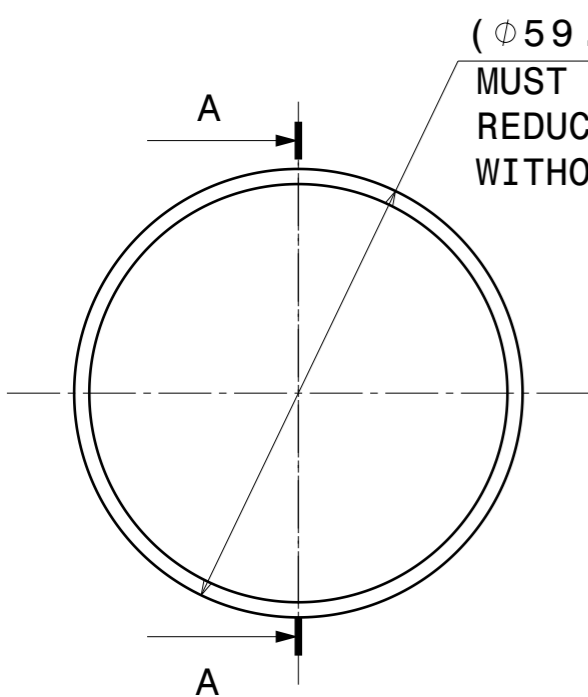
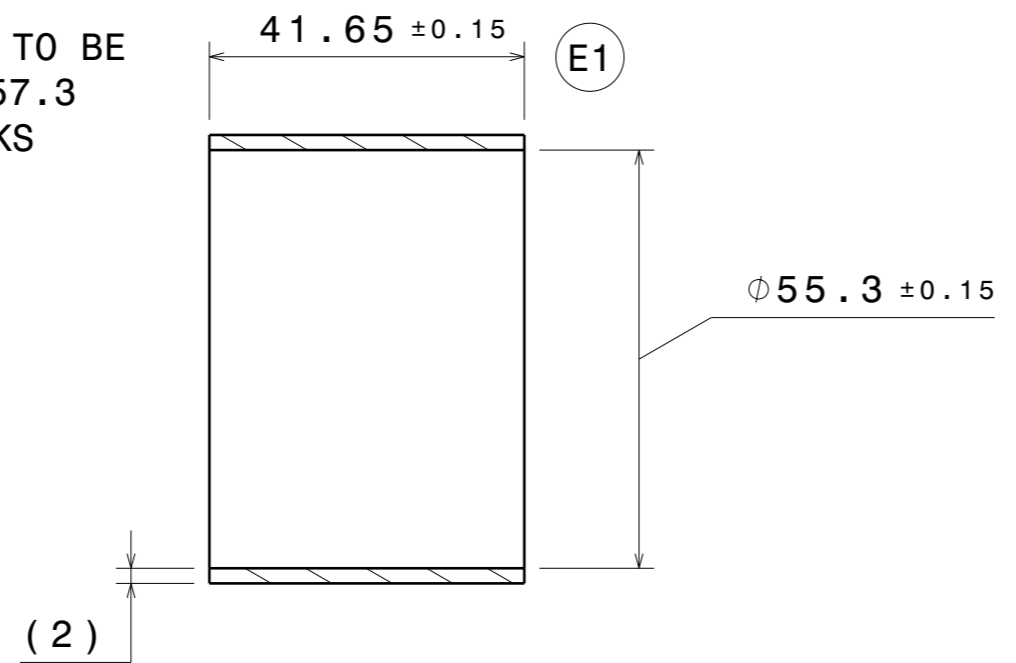


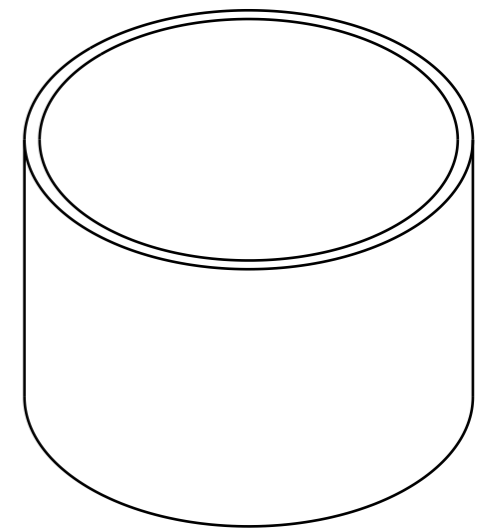
VER.	PLS.	DESCRIPTION	CHD. BY	DATE	APD. BY	ECR#
A	-	INITIAL RELEASE	-	-	-	406
B	1	1. MODIFIED NOTES	RPC	04SEPT20	MJR	450
C	1	1. MODIFIED MATERIAL	RPC	24MAR21	MJR	563
D	1	1. WAS 190MPa	RPC	10JUN21	MJR	637
E	1	1. WAS 42.5 ±0.15	RPC	24OCT21	MJR	740



(φ59.3)
MUST BE ABLE TO BE REDUCED TO φ57.3 WITHOUT CRACKS



Section view A-A



Isometric view

FOR DEVELOPMENT ONLY
Issue Date: 27.10.2021
Issued By: Anil

(B1) (C1)

MATERIAL: 6061-T6/6351-T6 MIN YIELD 240MPa

THICKNESS: 2.0 ±0.1

DELIVERY CONDITION:
SURFACES TO BE FREE OF GRAPHITE,
SILICONE COMPOUNDS, MOLYBDENUM
DISULPHIDE, SULFUR AND DIRT

-0.2 EDGES acc.
DIN ISO 1715

DRN. BY:	R. CHURCH	02JUL20
APD. BY:	M. ROWE	02JUL20
CAD SYSTEM:	CATIA V5	PROTECTION MARK: ISO 16015
TOLERANCED:	ISO 2768-mk	ISO 8015
MASS: 0.04kg	○ CALCULATED - ACTUAL	PROTOTYPE REFERENCE NO.: -

PROPERTY OF ANP	
This drawing is the SOLE-PROPERTY of ANP. It should not be copied by any-one without written permission of ANP.	
UNIT - MM	
SCALE - 1:1	
SHEET - A3	
MODEL IS MASTER FOR ALL NON-DIMENSIONED FEATURES	

ANAND NVH PRODUCTS INC.	
TITLE: OUTER PART	
PART NO.:	U-F01448-D12
	E