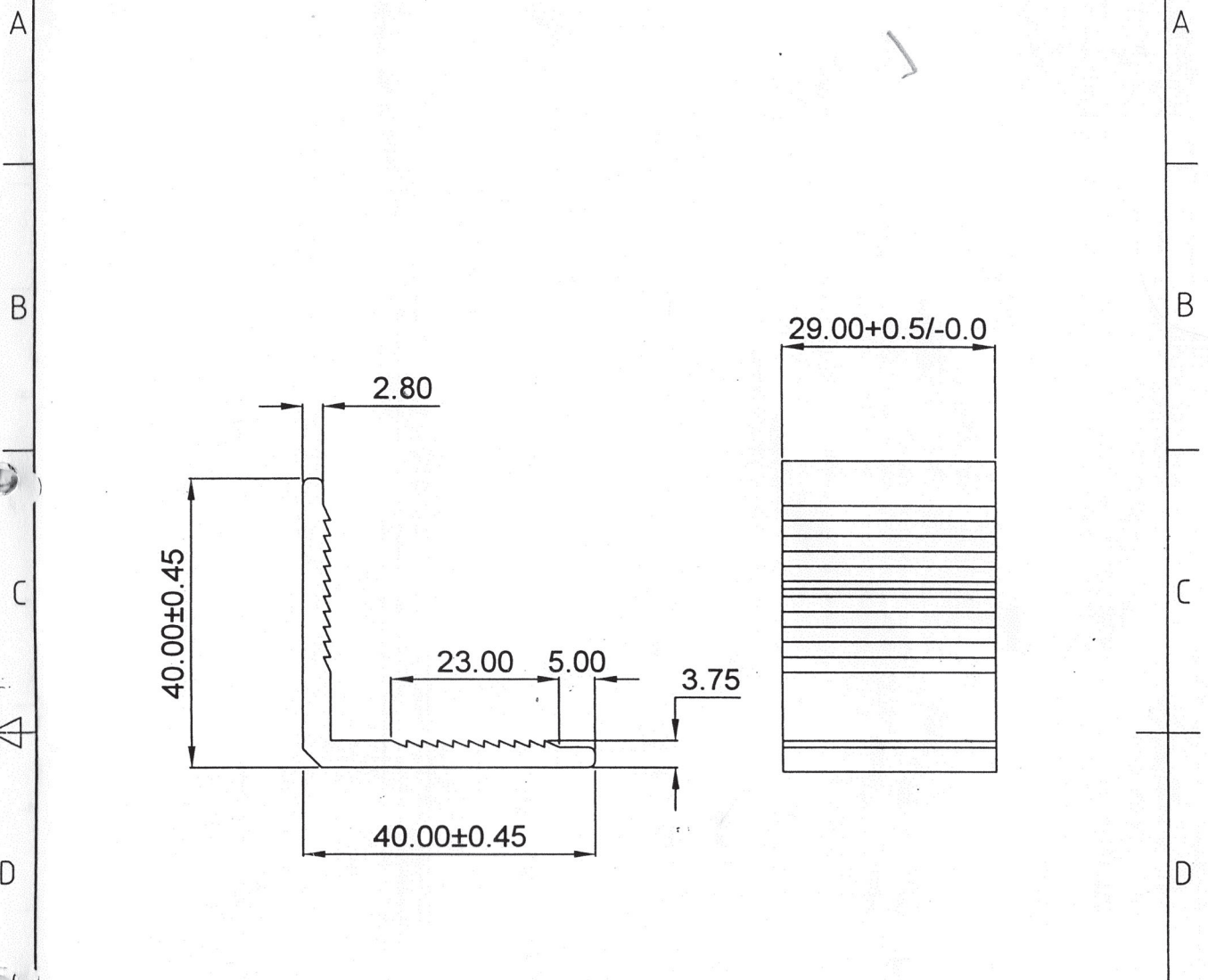


4	3	2	1
RevNo	Revision note	Date	Signature
			Checked
			442338-0
			DRG. NO.



STANDARD ISO 2768-1		
LINEAR TOLERANCE		
FROM	TO	TOL.
0.5	3	+/- 0.1
3	6	+/- 0.1
6	30	+/- 0.2
30	120	+/- 0.3
120	400	+/- 0.5
400	1000	+/- 0.8
1000	2000	+/- 1.2
2000	4000	+/- 2.0

THIS DESIGN, DRAWING AND PRINTS ARE THE PROPERTY OF REIL. REPRODUCTION OF ANY KIND IS PROHIBITED EXCEPT WITH SPECIFIC PERMISSION OF REIL.

REMOVE SHARP EDGES & CORNERS BY SCALE  
ALL DIMENSIONS ARE IN mm.  
UNLESS OTHERWISE SPECIFIED.



RAJASTHAN ELECTRONICS & INSTRUMENTS LTD.  
2, KANAKPURA INDUSTRIAL AREA, JAIPUR - 302 012 [INDIA]

MATERIAL: ALUMINIUM ALLOY 63400 WP AS PER IS:733 OR 6063-T6

SURFACE TREATMENT:

FINISH: NATURAL

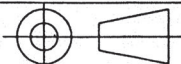
TYPE NO.

ALT. NOTE NO

DESIGNED BY

DRAWN BY

TOL: /



QTY.

4 NOS

CHECKED BY

SCALE : 1:1

APPROVED BY

DESCRIPTION SPV MODULE  
ALUMINIUM CORNERS

SHEET NO.

SHEETS

SIZE  
A4

DRG. NO.

442338-0

REPLACED BY