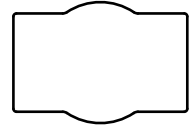


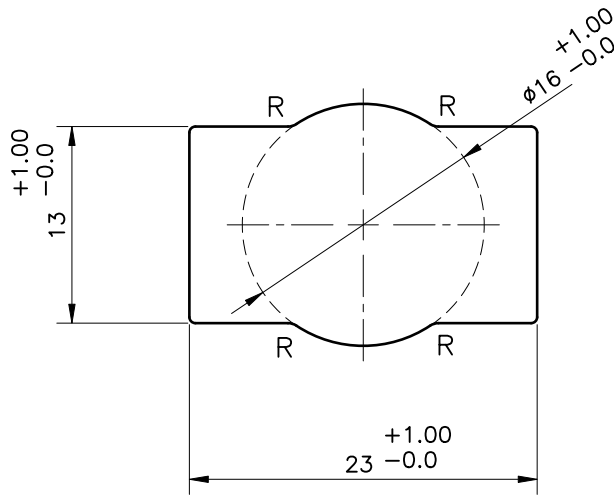
BEFORE APPROVAL CHECK ALL DIMENSIONS PROPERLY

PROPOSED DRAWING



Q00480

SCALE 1:1



NOTE:-

R= 1 R



SYMBOL OF QUALITY
AN ISO 9001 COMPANY

JINDAL ALUMINIUM LTD.
BHIWADI-301019 (INDIA)

	NAME	DATE
DRAWN	ASHUTOSH	28-03-2023
CHECKED		
APPROVED		

1. ALL DIMENSIONS ARE IN mm.
2. ROUND OFF ALL SHARP CORNERS WITH 0.40 mm.
3. TOLERANCES WILL BE AS PER BS:EN-755-9 , UNLESS OTHERWISE SPECIFIED

SCALE	1:1&2:1
AREA mm ²	317.93
PERIMETER mm.	72.50
WEIGHT kg/m	0.858
DRAWING No.	SECTION No.

PARTY'S NAME M/s. OK AUTO COMPONENTS PVT. LTD.

PARTY'S DRAWING No. AS PER DRAWING-CP-050001-C

ALLOY & TEMPER 6061-T6

DESCRIPTION MISC. BAR