

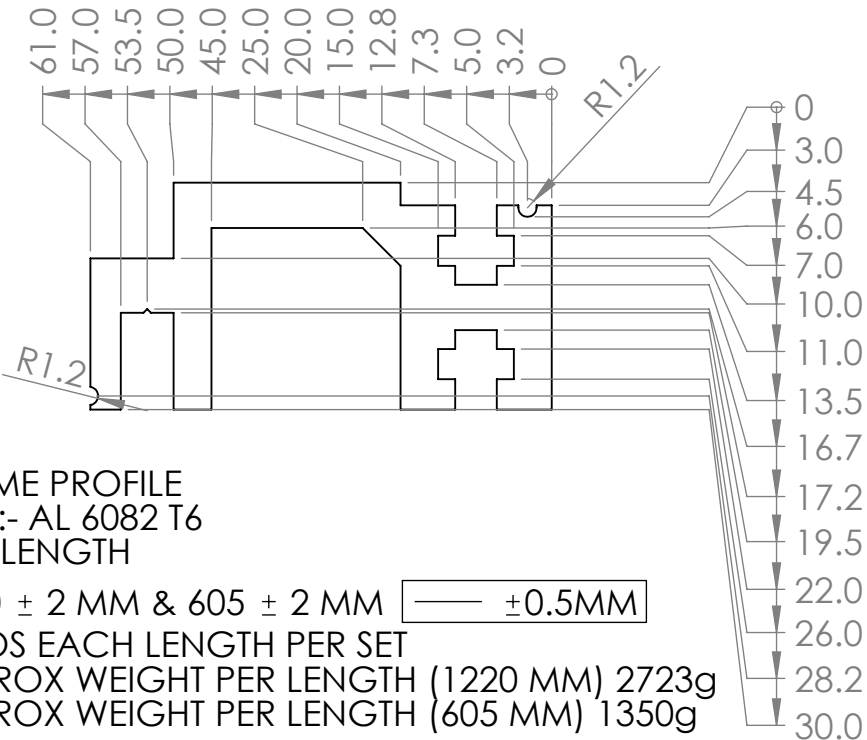
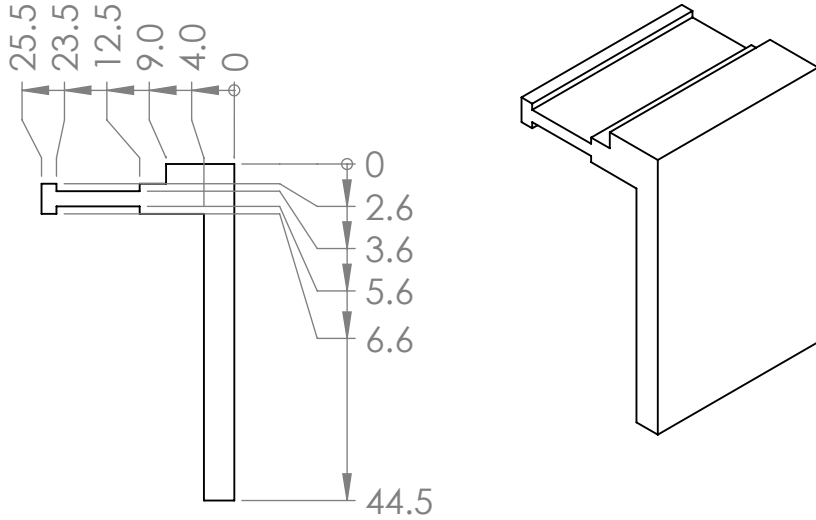
EXTRUSION PROFILES

1

Q00481

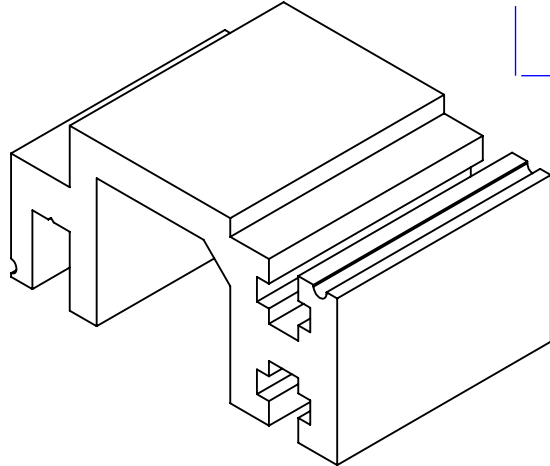
MODULE MOUNTING PROFILE
 MAT:- AL 6082 T6
 CUT LENGTH

1205 ± 2 MM ±0.5MM
 2 NOS PER SET
 APPROX WEIGHT PER LENGTH 830g



FRAME PROFILE
 MAT:- AL 6082 T6
 CUT LENGTH
 1220 ± 2 MM & 605 ± 2 MM ±0.5MM
 4 NOS EACH LENGTH PER SET
 APPROX WEIGHT PER LENGTH (1220 MM) 2723g
 APPROX WEIGHT PER LENGTH (605 MM) 1350g

2

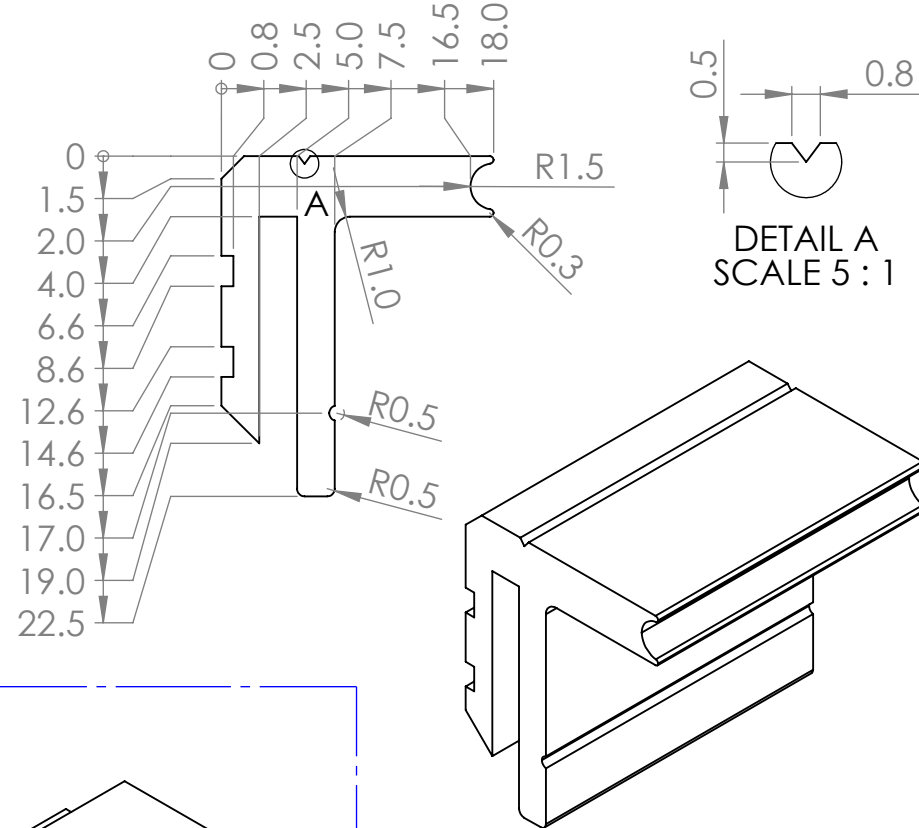


Q00482

3

DOOR PROFILE
 MAT:- AL 6082 T6
 CUT LENGTH

1220 ± 2 MM & 605 ± 2 MM ±0.5MM
 4 NOS EACH LENGTH PER SET
 APPROX WEIGHT PER LENGTH (1220 MM) 476g
 APPROX WEIGHT PER LENGTH (605 MM) 236g



Q00483