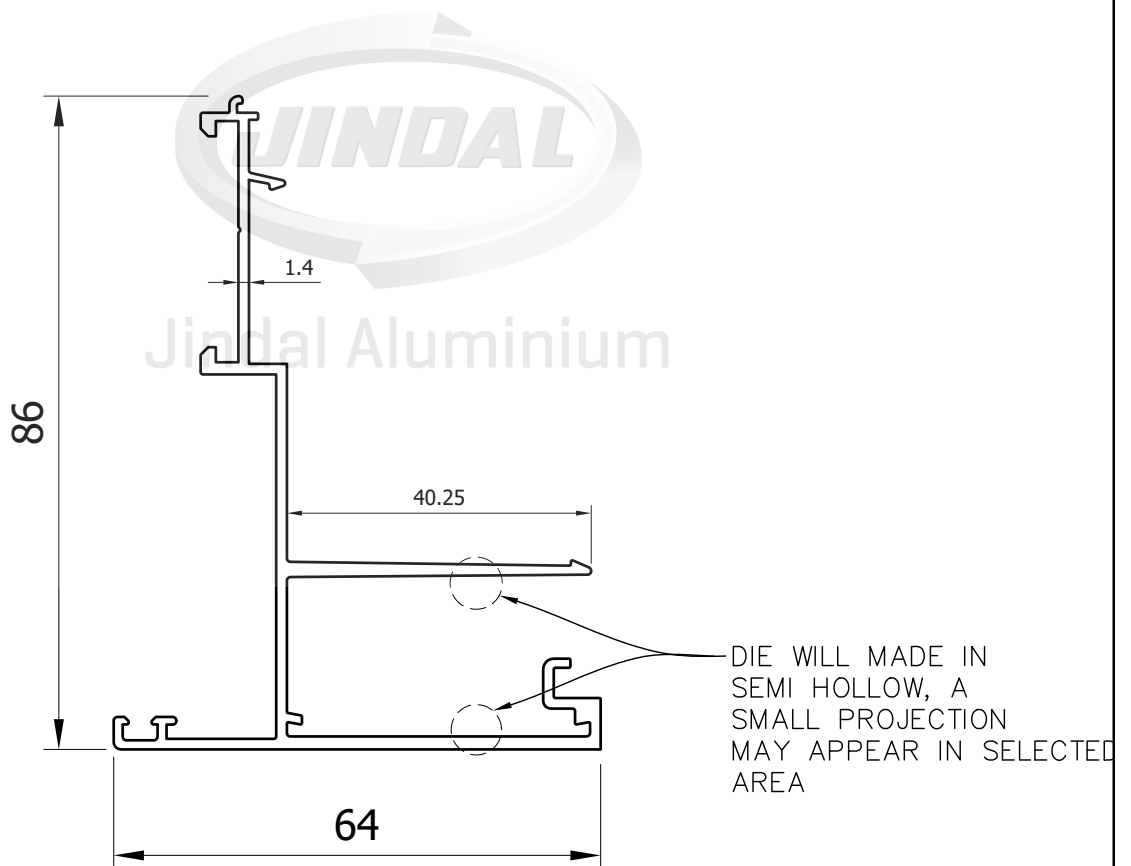


ALUM. PROFILE
(AW_AL04)

ALLOY - 6063 - T6
FINISH - ANODIZED/
POWDER COATING

PROPOSED DRAWING

Q00962



Area: 359.067 Sq.mm. | Perimeter: 484.64mm. | Weight: 00.969 Kg./mtr.