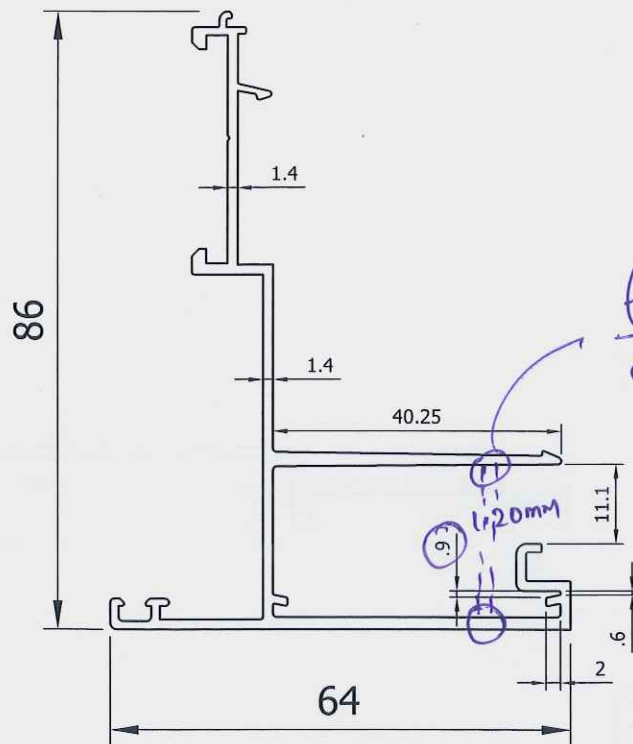


UM. PROFILE  
(AW\_AL04)

ALLOY - 6063 - T6  
FINISH - ANODIZED/  
POWDER COATING



*Semi-hollow  
design A small  
projection mark  
may appear  
in these places*