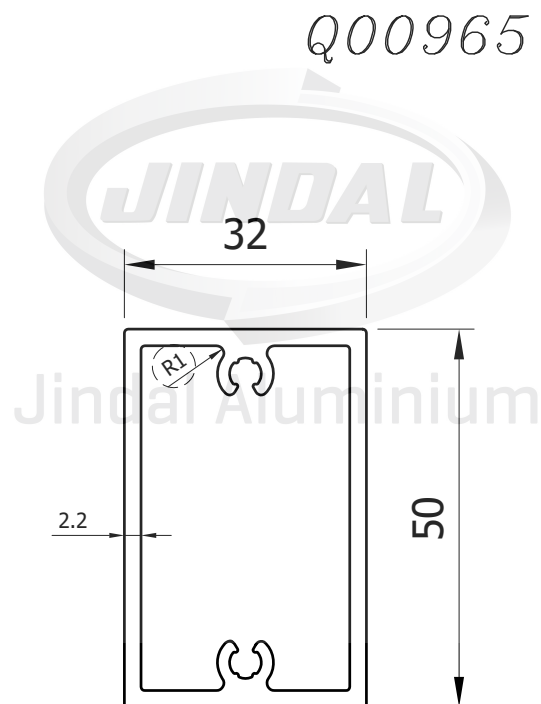


ALUM. PROFILE
(AW_AL07)

ALLOY - 6063 - T6
FINISH - ANODIZED/
POWDER COATING

PROPOSED DRAWING



Area: 396.018 Sq.mm. | Perimeter: 163.571 mm. | Weight: 1.069 Kg./mtr.