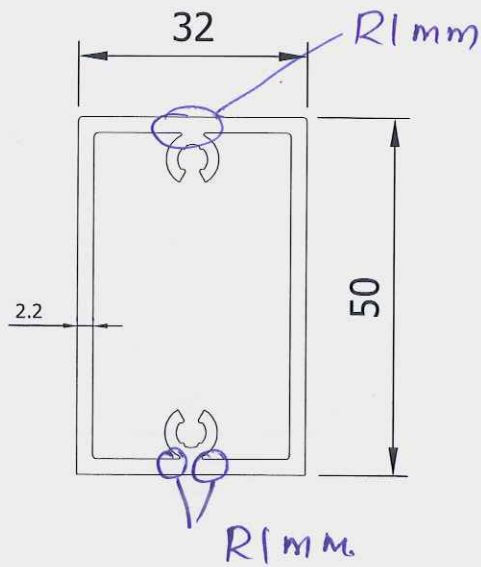


UM. PROFILE
(AW_AL07)

ALLOY - 6063 - T6
FINISH - ANODIZED/
POWDER COATING



P7-2H