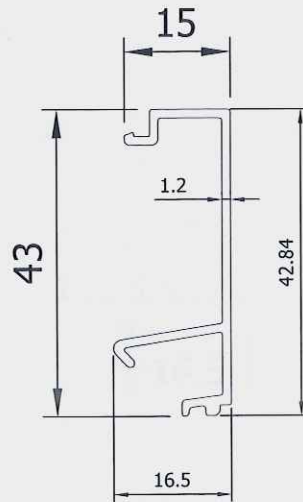


ALUM. PROFILE
(AW_AL09)

ALLOY - 6063 - T6
FINISH - ANODIZED/
POWDER COATING



DPI-2H