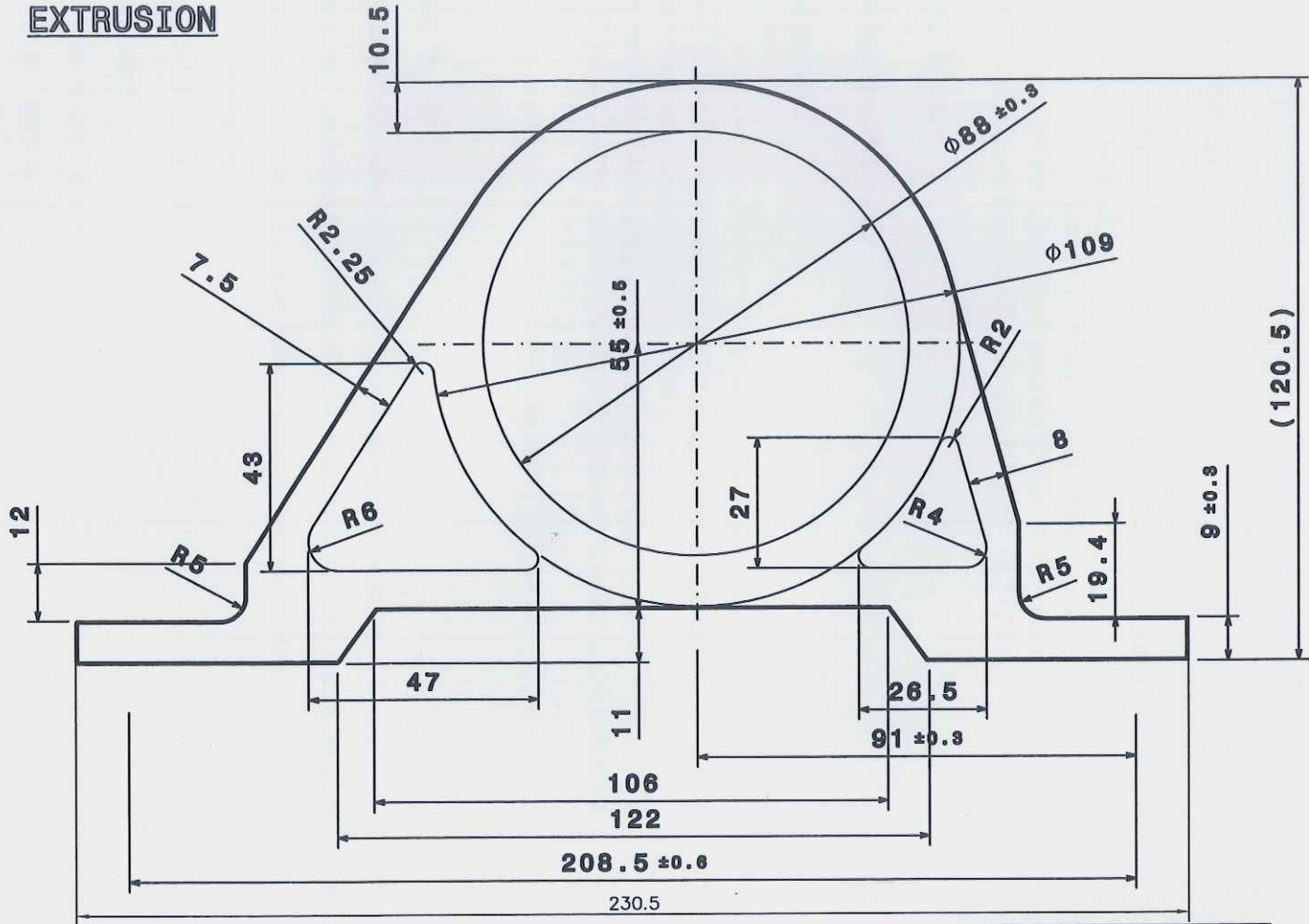


**EXTRUSION**



BILL OF MATERIAL				
ITEM	DESCRIPTION	MATERIAL	PART NO	QTY.
01	AL EXTRUSION	6063T6	131266	01

REMOVE ALL SHARP EDGES & BURR						Unqualified tolerances as per IS 2192 (Part 1) : 2003		All dimensions in mm unless otherwise stated.		Special Characteristic Symbol	Safety Related	Key Fit & Function	Major					
Dimension	≤ 6	> 6 & ≤ 20	> 20 & ≤ 125	> 125 & ≤ 400	> 400 & ≤ 1200	> 1200	Do not scale drawing											
Metal	±0.1	±0.2	±0.3	±0.5	±0.8	±1.2			⊙	▲	0							
Rubber	±0.3	±0.5	±0.8	±1.2	±2	±3												
OWN	GVN	Stork Rubber Products Pvt Ltd						E										
CHD	HLD/IMP							D										
APD	BALDR							C										
SIZE	A4	DESCRIPTION						B										
		AL EXTRUSION						A										
SCALE	NTS	WEIGHT (gms)	PART NUMBER		FINAL CODE		INITIAL REVISION											
		627	1301266		1006361		11.07.2009											
The information contained in this document is property of Stork Rubber Products Pvt Ltd. It is not to be shared or reproduced without permission.												REVISION DETAIL		REV NO.	DATE	SEN NO	DRN BY	APP BY

Q02092