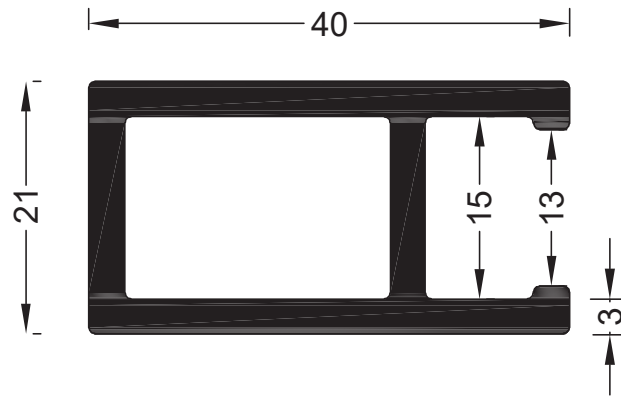
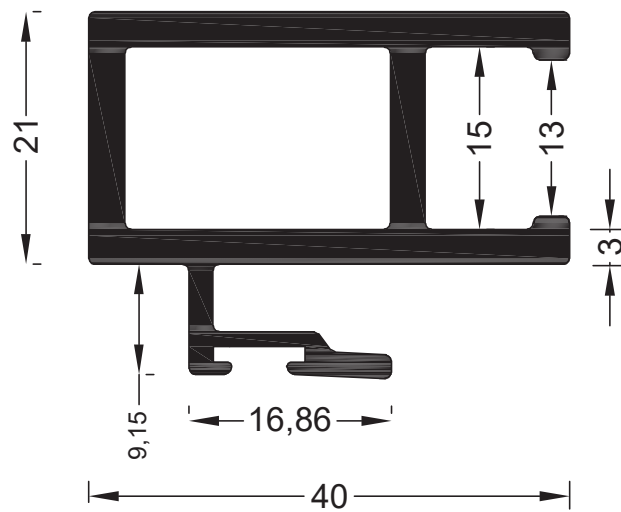


Q00493

Handle Section  
0.9 Kg/M approx



Mesh Section  
0.9 Kg/M approx



Q00494

Interlock Section  
1 Kg/M approx