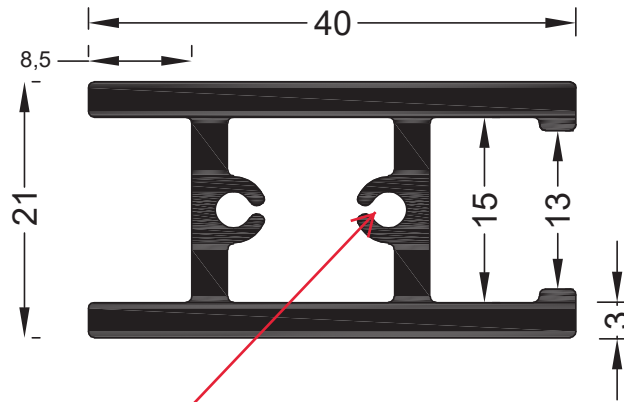
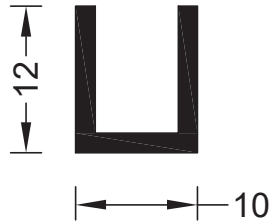


Q00495



Top/Bottom Section
0.9 Kg/M approx

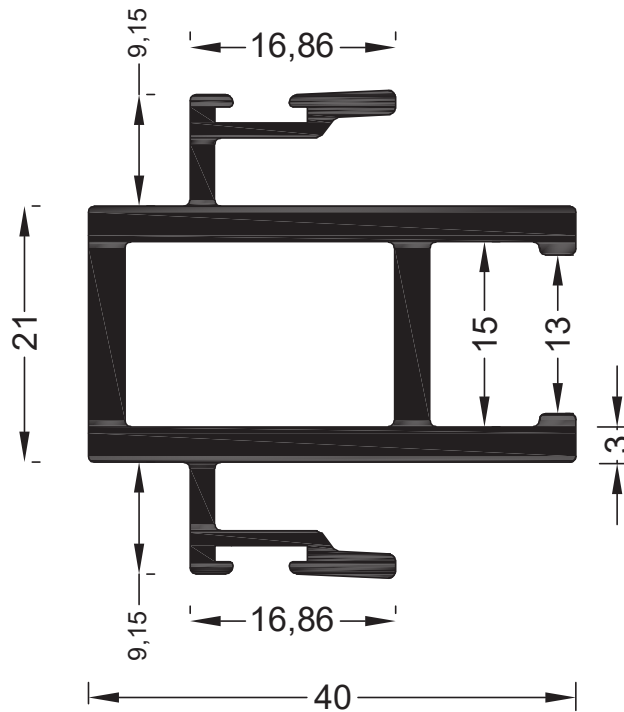
minimum 3mm
dia with 60 deg
opening



Q00497

Mesh Clip
0.13 Kg/M approx

Q00496



Interlock Section
1.1 Kg/M approx