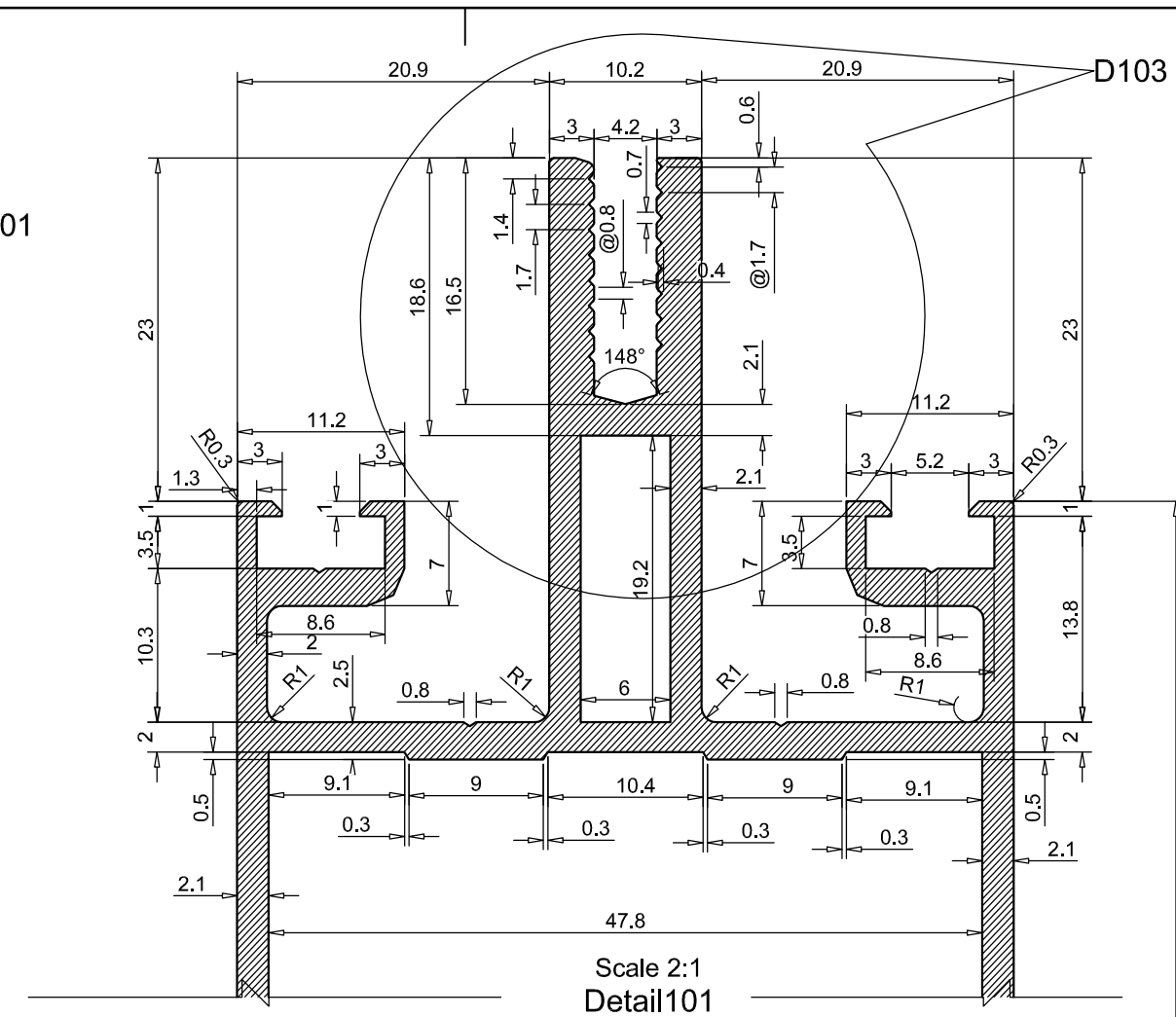
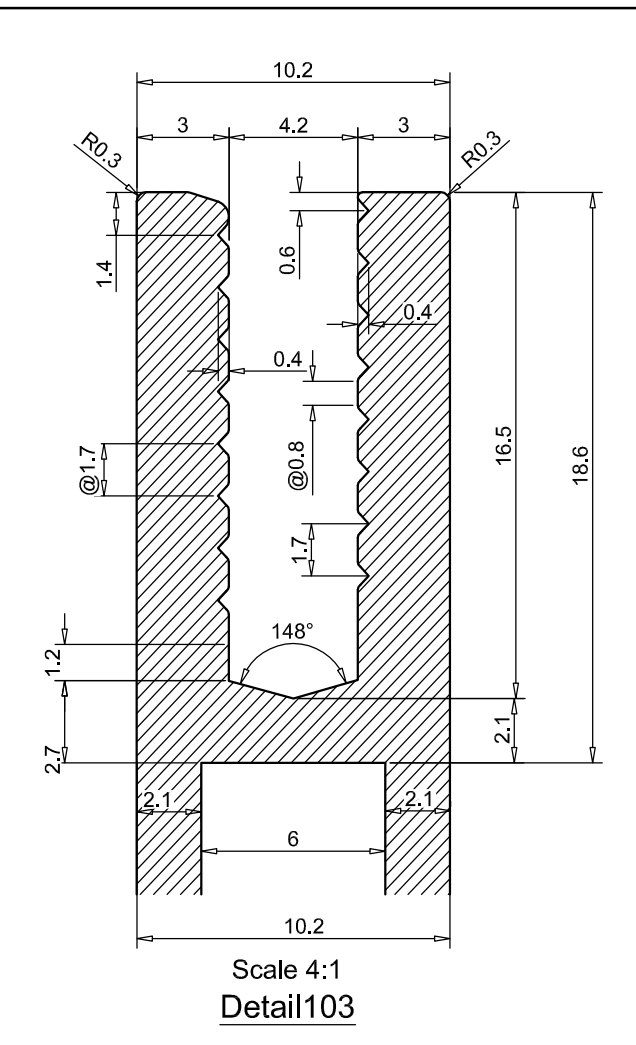


Scale 1:1

W - 3.227Kg/Mtr



Scale 2:1
Detail102



Scale 4:1
Detail103

Note- All Unspecified Sharp Edge will radius 0.2 mm

- Special Feature:-**
1. Anodizable.
 2. No Machining
 3. To Bend- No
 4. Alloy & Temper - 6063 T6
- Cut Length :- To be Finalized

Material.-	Al.	Qty-	Extrusion Al. G52M55			
Customer	XXXX		Project <i>Development</i>			
Print:	Draft	Drg No:	M33175			
Drawn By	Date	Version	Scale	Format	Sheet	
AKS	30/09/2023	Rev D4	NTS	A3	1/1	
File: \\ax2\AX\ALUSYSTEMS\ALUSYSTEM DEVELOPMENTS\MULLION\52M55 (145mm)\Vendor\M33175_RevD4.dwg						

GSC
Trutuf

GSC Glass Ltd
5 & 7, Udyog Vihar, Greater Noida 201306 (UP)
INDIA Ph +91 120 2569922 Fax: +91 120 2560877