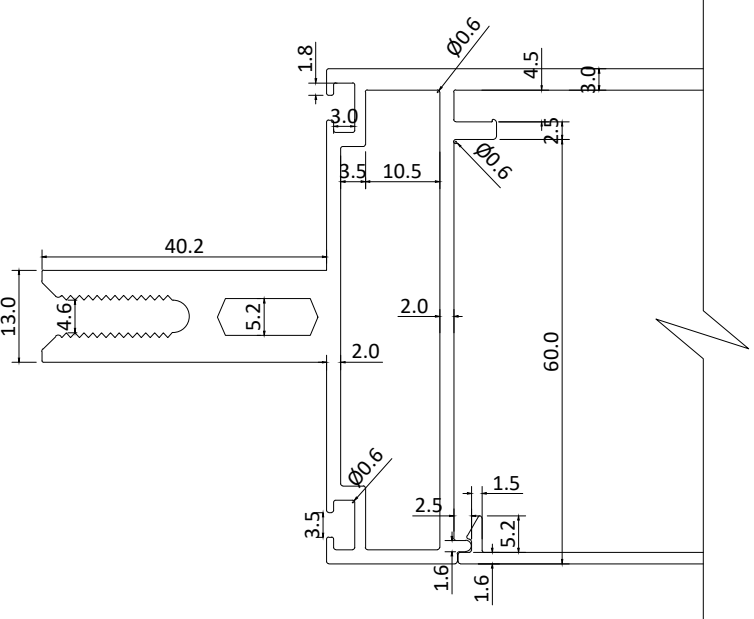
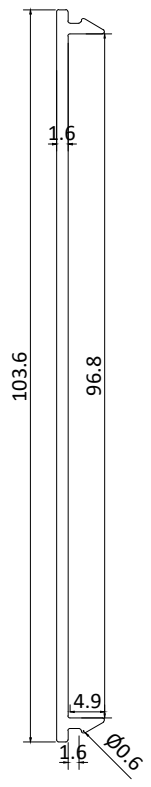


TRANSOM PROFILE



TRANSOM PROFILE



- NOTES:**
- 1) ALL DIMENSIONS ARE IN MILLIMETERS
 - 2) ALL DIMENSIONS ARE TO FACE UNLESS SPECIFIED OTHERWISE
 - 3) DO NOT SCALE DIMENSIONS
 - 4) ALL DIMENSIONS TO BE CHECKED AT SITE.

ALL DIMENSIONS ARE IN MILLIMETERS

REV	DESCRIPTION	DATE	NAME

PROJECT :
 FACADE CONTRACTOR :
ALIOS ENGINEERS PVT.LTD.
 Plot No. 11, Sector 13, Gurgaon - 122001, Haryana, INDIA.

DRAWING TITLE :
 02516/01010
 DESIGN : ASHISH
 DRAWN : ASHISH
 CHECKED : ASHISH
 APPROVED : ASHISH
 PROJECT : ASHISH
 DATE : 14/11/2021
 SCALE : 1:1
 SHEET NO. :
 TOTAL SHEETS :
 PROJECT NO. :
 DRAWING NO. :