

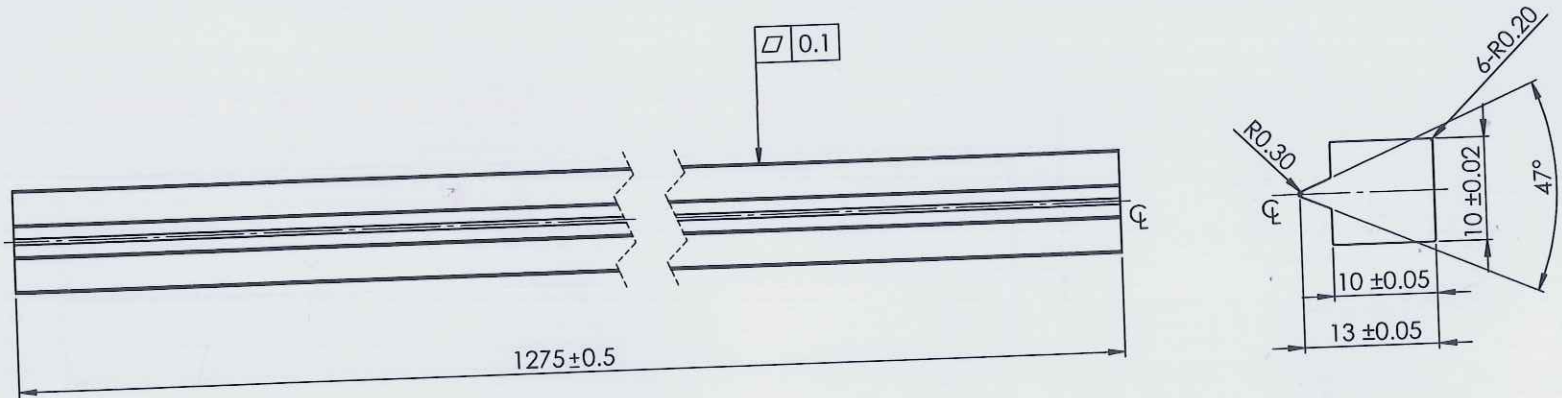
8 7 6 5 4 3 2 1

DO NOT SCALE DRG. UNLESS OTHERWISE SPECIFIED ALL DIMENSIONS ARE IN m.m. ASK IF IN DOUBT THIS DRAWING IS SOLE PROPERTY OF NARIAN COOLING TECHNOLOGIES (P) LTD., THIS SHOULD NOT BE COPIED OR COMMUNICATED TO ANY PERSON WITHOUT WRITTEN APPROVAL OF THE PROPRIETOR.

	AUTHORISED FOR	DATE
<input checked="" type="checkbox"/>	PROTOTYPE	
<input type="checkbox"/>	PRE-LAUNCH	
<input type="checkbox"/>	PRODUCTION	

SPECIAL CHARACTERISTICS SYMBOL

- ◇ - FIT/FUNCTION
- ⊙ - SAFETY/COMPLIANCE
- [] - REFERENCE



QA 2095

- NOTE:-**
- MATERIAL - AA3003 H-112
 - WEIGHT - -----
 - PART MUST BE FREE FROM SHARP EDGES & BURRS.
 - THERE SHOULD NOT BE ANY OILY CONTENTS & DUST.

GENERAL TOLERANCE CHART (IS:2102 (Part I)-1980)

Class of Deviation	0.5	3.0	6.0	30.0	120	315	1000	RIGHT ANGLE	OTHER
	TO	TO	TO	TO	TO	TO			
A-Fine	0.05	0.05	0.1	0.15	0.2	0.3	0.5	1.0	1.5
B-Medium	0.1	0.1	0.2	0.3	0.5	0.8	1.2	2.0	3.0
C-Coarse	-	0.2	0.5	0.8	1.2	2.0	3.0	2.0	3.0
D-Extra Coarse	-	0.5	1.0	1.5	2.0	3.0	4.0		

<p>NARAIN COOLING TECHNOLOGIES PVT. LTD. F-6, INDUSTRIAL ESTATE, SITE-B, MATHURA, UP</p>		CAD SOURCE SOLIDWORKS	
2022	NAME	DATE	
DRAWN BY	AVINASH KUMAR	30.08.2022	
CHECKED BY			
APPROVED BY			
DESCRIPTION - CONVERTOR SHORT BAR			
DRG. NO. - NCTCOC-00-002-00		PART NO. - NC-COC-002-00	
CUSTOMER/VENDOR		REFERENCE NO.	APPLICATION
			SHEET SIZE - A4
			SHEET 1 OF 1

8 7 6 5 4 3 2 1