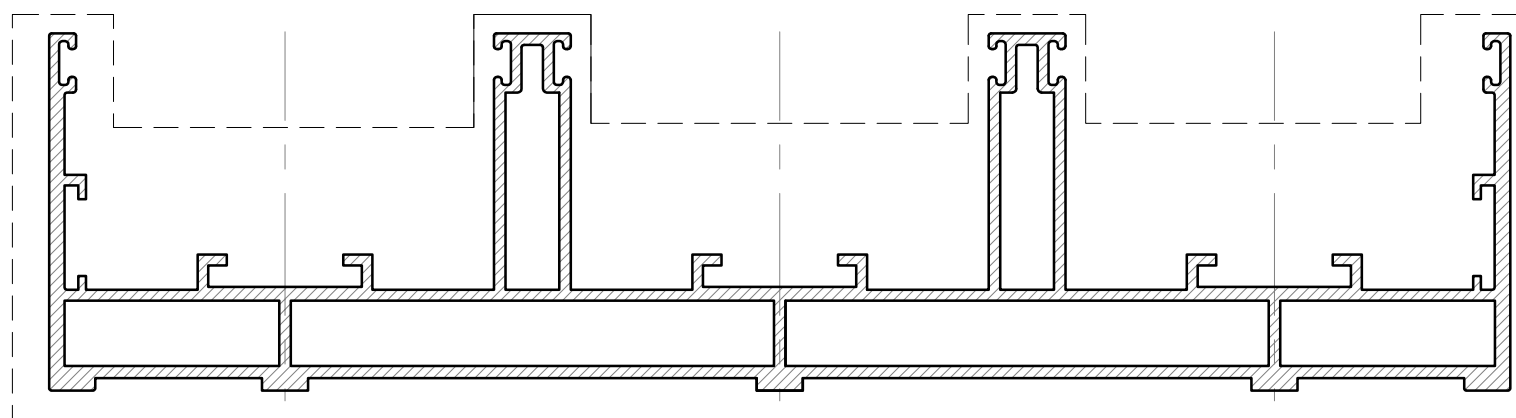


Scale 2:1



Scale 1:1

Finish Surface

Special Feature:-

1. Anodizable.
2. No Machining
3. To Bend- No
4. Alloy & Temper - 6063 T6

Cut Length :- ??

Note- All sharp edge radius is 0.2 mm.

W = 3.163 Kg/M

Material.- AL (6063 T6)	Qty-	Extrusion Aluminium 46.5x190.5 GS35-3T-Outer				
Customer	Project					
Print: Draft		Drg No: M33922				
Drawn By	Date	Version	Scale	Format	Sheet	
AKS	10/10/2023	Rev.A6	1:1	A3	1/1	
File: D:\USERS\Alok\Alusystems Development\GS35\GS35(NEW) RevA6.dwg						



GSC Alusystems Private Ltd

Plot 41, Sector Ecotech-1, Extension-1,
Greater Noida, Gautam Buddha Nagar
UP, India Pin 201310