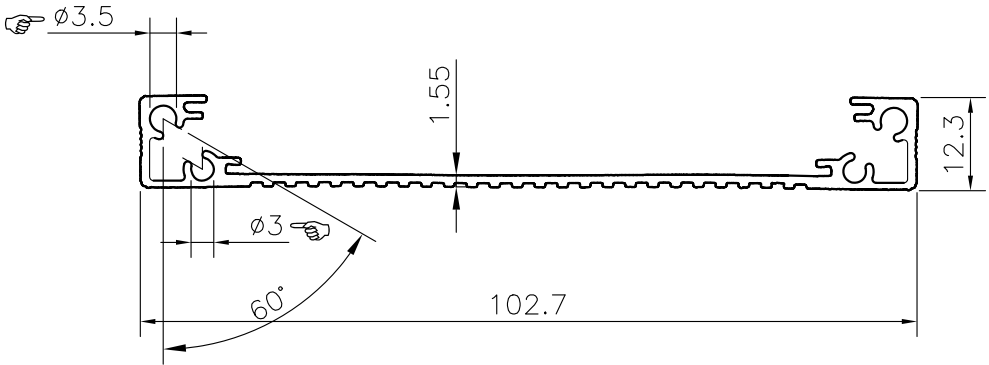


PROPOSAL DRAWING



GENERAL WALL THICKNESS WILL BE 1.20 mm.