

IMS NO: IMS-11-01-10-03
 REV. 00 DATE: 02/08/2023

UNLESS OTHERWISE SPECIFIED:
 -Dimensions in millimeters.
 -Complied to ISO 2768



		TOLERANCE						
NOMINAL DIM. (mm)	OVER	0.5	3	6	30	120	400	1000
		TO	3	6	30	120	400	1000
	LINEAR TOLERANCES	±0.2	±0.3	±0.5	±0.8	±1.2	±2	±3
Permissible deviations for ranges of length, in mm	OVER	0	10	50	120	400	Over 400	
	UPTO	10	50	120	400			
	ANGULAR TOLERANCES	±1'30"	±1'	±0'30"	±0'15"	±0'10"		

DISCLAIMER

DESIGNS, ORIGINAL ART AND CLIP ART PRESENTED ARE FOR THE USE OF THE AUTHORIZED CLIENT ONLY.

ALL ART, IMAGES, DESIGNS, AND MATERIAL ARE REGISTERED UNDER THE DESIGN ACT BY THE COMPANY PYROTECH WORKSPACE SOLUTION PVT LTD. AND MAY NOT BE RESOLD.

ADDED TO DESIGN OR ART COLLECTIONS OF ANY NATURE OR ANY OTHER UNAUTHORIZED FORM OF DISTRIBUTION OR REPRODUCTION WITHOUT EXPRESS WRITTEN PERMISSION BY THE COMPANY@PYROTECH WORKSPACE SOLUTION PVT LTD.]

PYROTECH WORKSPACE SOLUTIONS PVT. LTD.

B-438, Road No. 18A,
 Bhamashah Industrial Area,
 Katedwas, Udaipur, Rajasthan
 (India)
 Ph:-0294-2850150/560

MATERIAL: ALUMINIUM 6063-T5
 WEIGHT: -
 SURFACE FINISH: RAW
 COLOUR: -
 QUANTITY: -

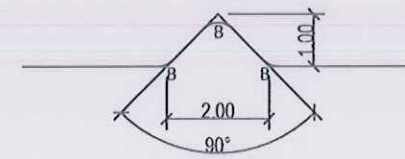
00	DEVELOPMENT	YASHPAL	19/06/2023
REV.	DESCRIPTION	DRAWN BY	DATE
DRAWN BY	CHECKED BY	APPROVED BY	
YASHPAL S.	AMIT C.	AMIT C.	

PART DESCRIPTION
 BATTEN TRACK 75X17MM

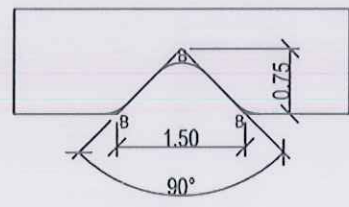
DRAWING NO: - SCALE: NTS
 PROJECT NO: -

DEPARTMENT: PRODUCT DEVELOPMENT (IC)

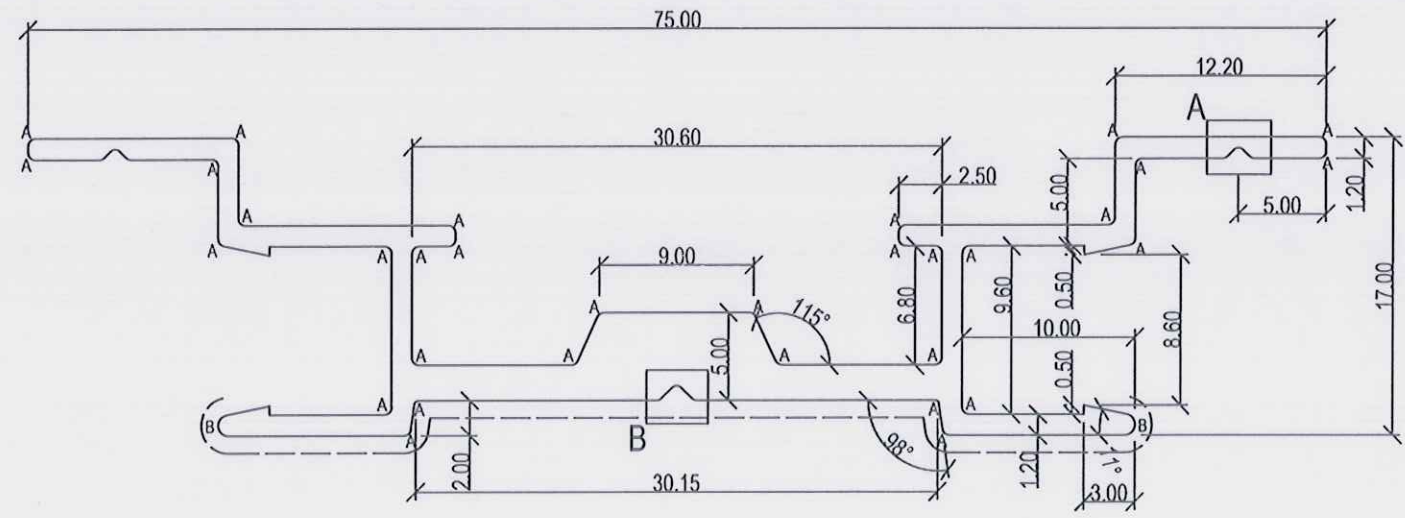
VENDOR DETAILS
 -



DETAIL : B



DETAIL : A



Q02118

Radius

A : 0.4mm

B : 0.6mm

----- Exposed area