

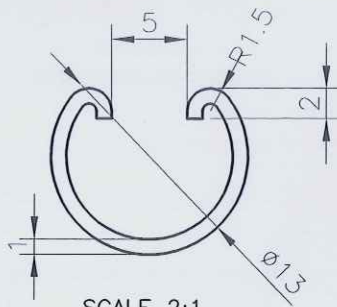
→ XPS-VR (mktg)

EXTRACTED FROM STP FILE

TO Vipeel Rambhal



SCALE 1:1



SCALE 2:1

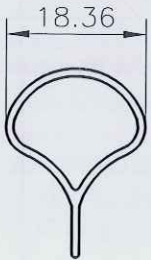
Area:32.568 Sq.mm. | Perimeter:67.14mm. |

Weight:00.088 Kg./mtr.

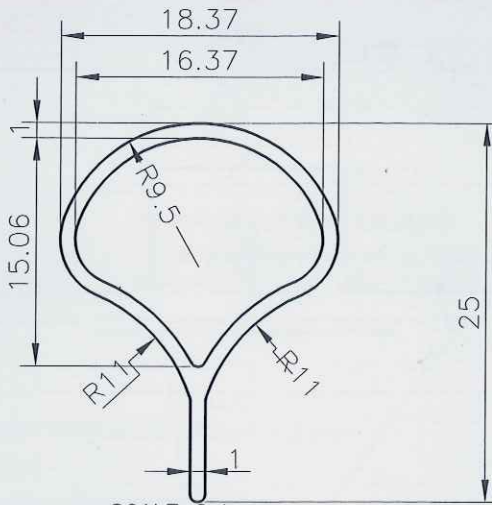
DATE: 18/07/2024

ALLOY:6063 T6

4H
DPI.
Q02166



SCALE 1:1



SCALE 2:1

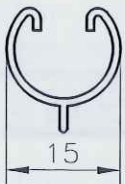
Area:59.092 Sq.mm. | Perimeter:68.771

mm. | Weight:0.16 Kg./mtr.

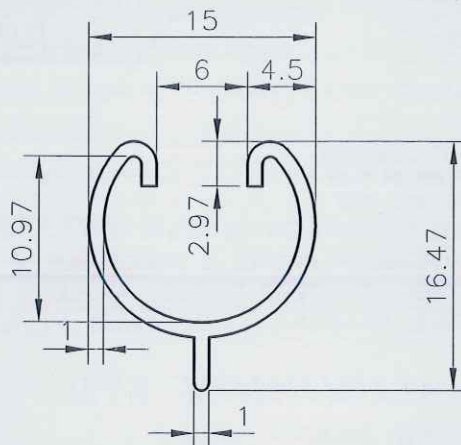
DATE: 18/07/2024

ALLOY:6063 T6

Q02167
DPI-2H
L. Oe



SCALE 1:1



SCALE 2:1

Area:43.283 Sq.mm. | Perimeter:88.37mm. | Weight:00.117 Kg./mtr.

DATE: 18/07/2024

ALLOY:6063 T6

4H
DPI.
Q02168