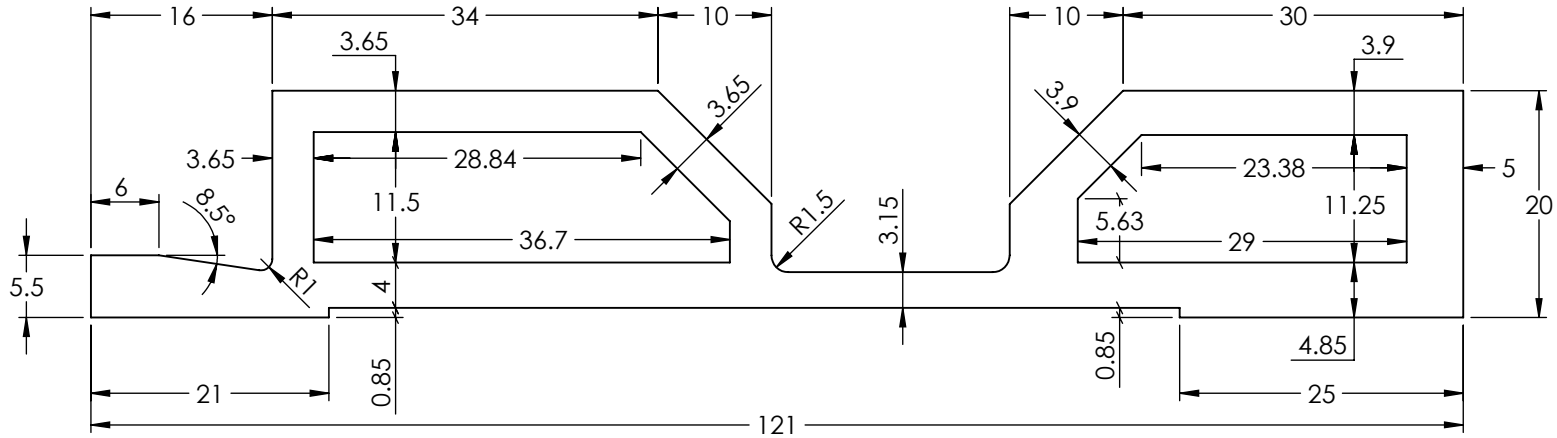


IF IN DOUBT, PLEASE ASK



WEIGHT - 2.65KG/M

This drawing is the sole property of VIJAY ENGINEERING WORKS, JALANDHAR, Unauthorised use of this drawing, information disclosing loan, copying using for sub contracting, lending or any other misuse are not permitted.

REVISION		SIG	VEW® B-28 FOCAL POINT Extn. JALANDHAR (PB) INDIA Email: sales@vijaytools.com Tel:- +919814061911						
B	OLD		DRN.	RAJJAT	TITLE:-	M_B			
	NEW								
C	OLD		CHD.	GAURAV SACHDEVA	DRG NO.				
	NEW								
D	OLD		APPD.	RAJAN AGGARWAL	CPN.				
	NEW								
E	OLD		REF NO.	GEN TOL.		THICKNESS :- ±10%			
	NEW			ANGLE :- ±1°					
F	OLD		PROJECTION	MATERIAL	SCALE	PAGE NO			
	NEW						DATE	REV NO	
				6061-T6 (SS)	N.T.S	A4			1 / 1
			FORMAT No. - FM/DG/S01		FM ISSUE DATE. - 01-06-2022		FM REV No. - 00		