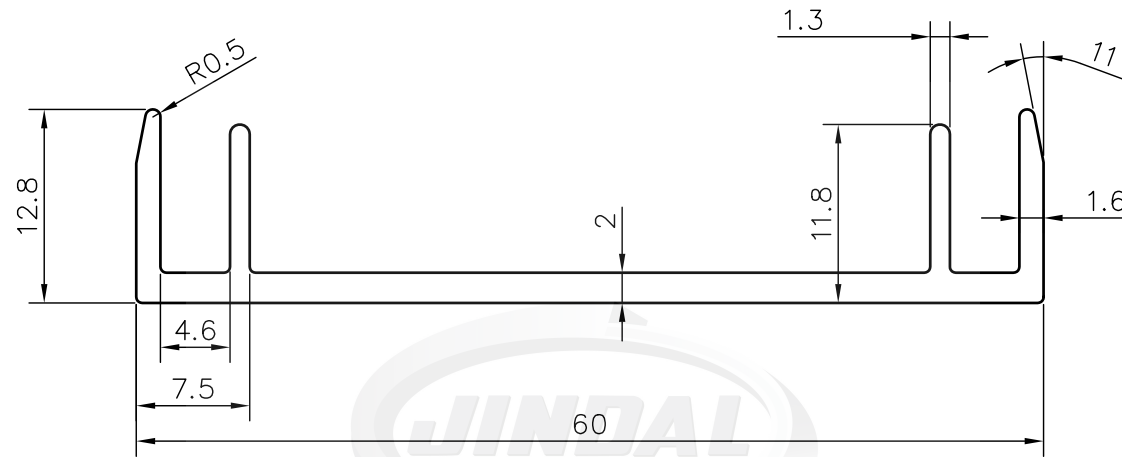


SCALE 1:1



SCALE 2:1

Area: 177.206 Sq.mm. | Perimeter: 201.97mm. | Weight: 00.478 Kg./mtr.

RAYFUEL ENERCON PRIVATE LIMITED  
SAMPLE DRAWING



SYMBOL OF QUALITY  
AN ISO 9001 COMPANY

JINDAL ALUMINIUM LTD.