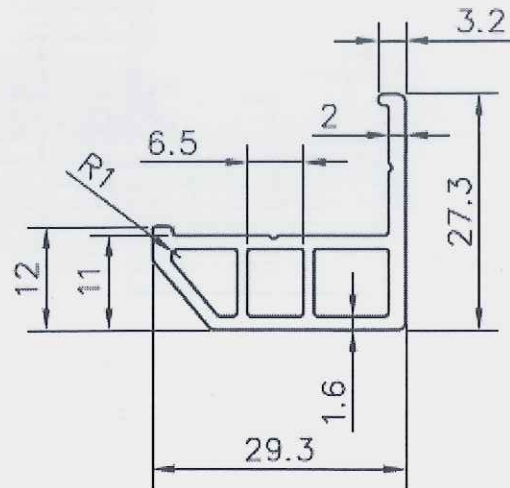


**DRAWING DEVELOPED AS PER SAMPLE & CUSTOMER PROPOSAL
PLEASE CHECK ALL DIMENSION & CONFIRM.**



Area: 170.468 Sq.mm. | Perimeter: 111.447 mm. | Weight: 0.46 Kg./mtr.

Q02190